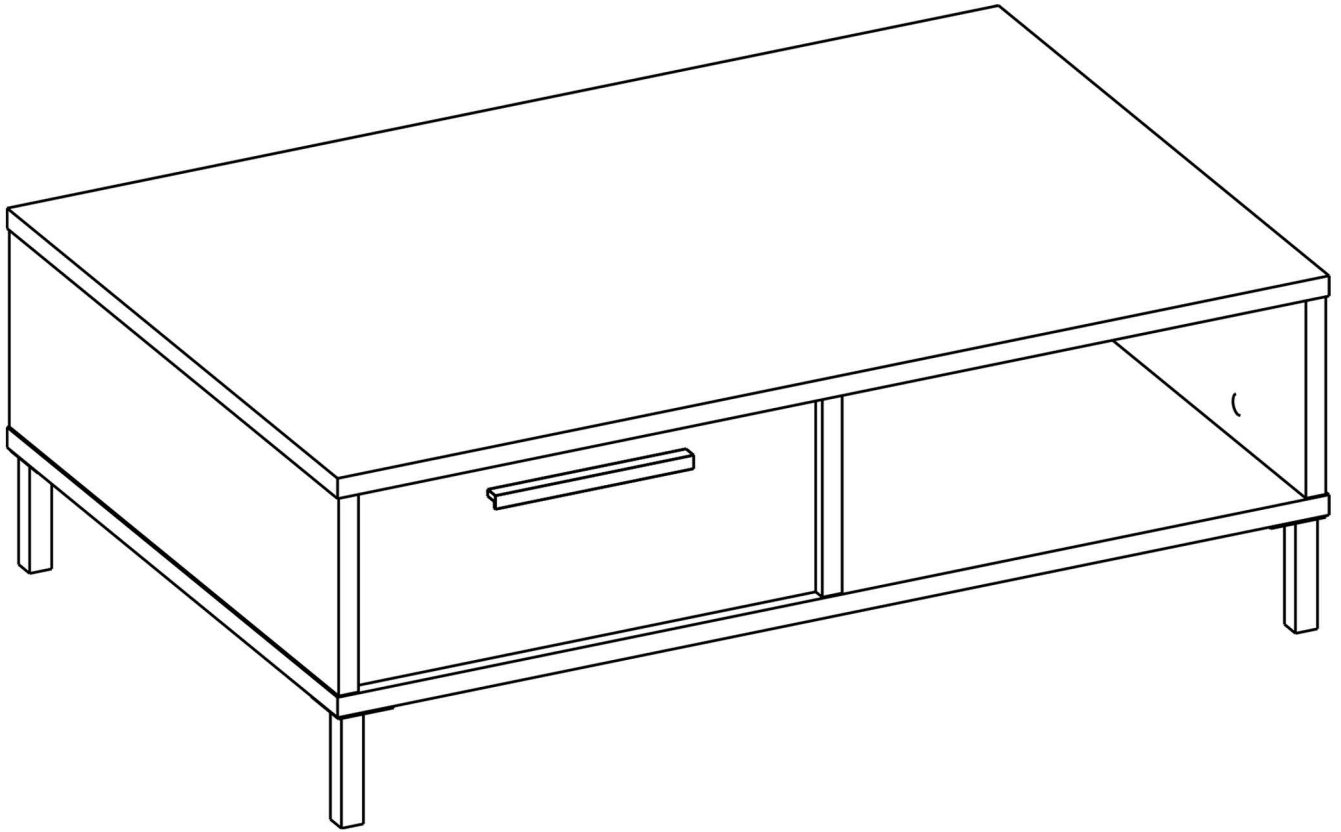


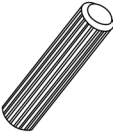


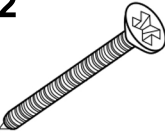


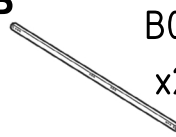

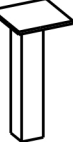
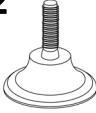


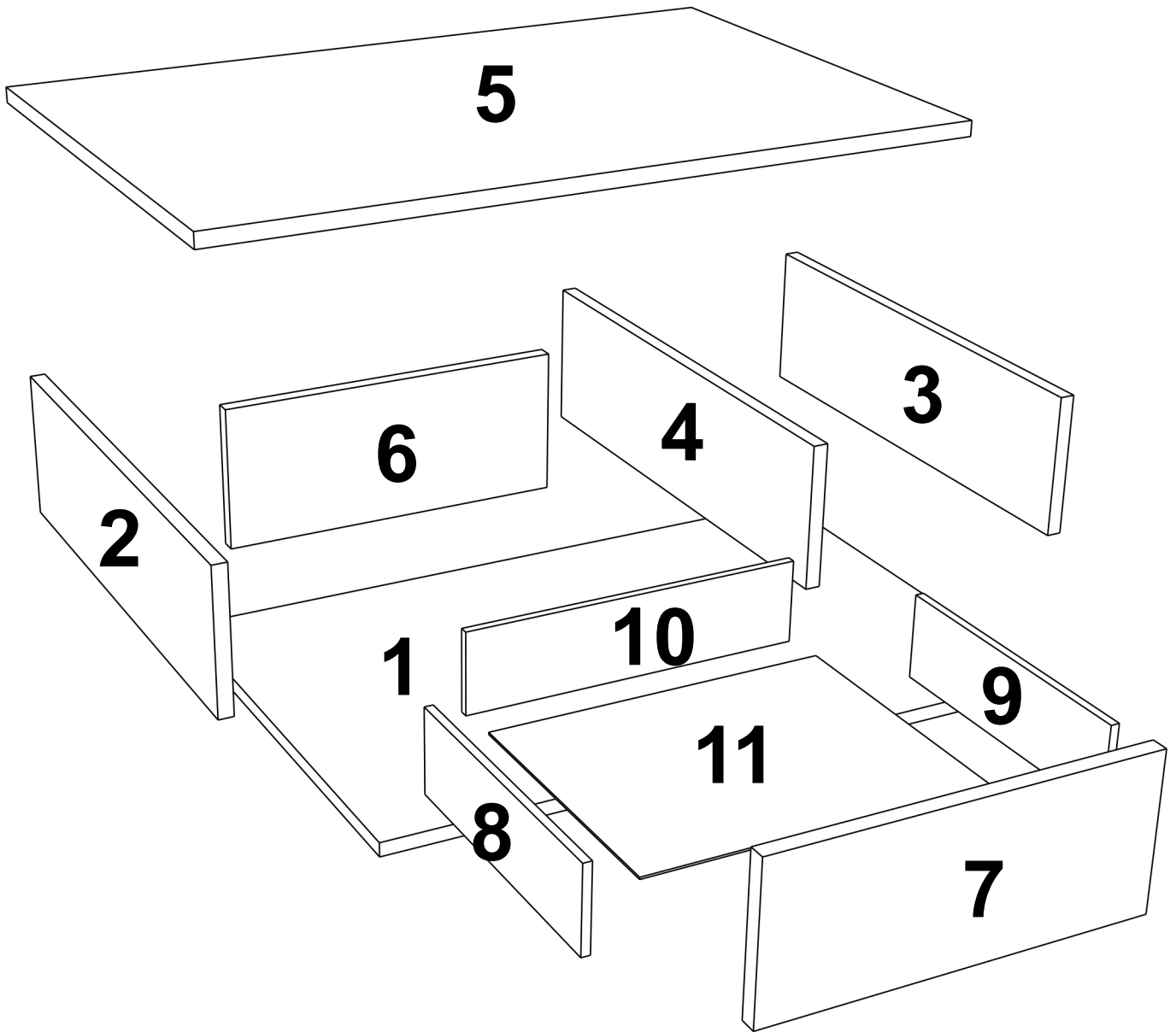
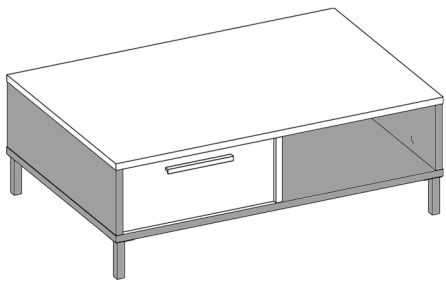


176-000132



1  B0501 x16	1  B0502 x16	1  B0503 x16	1  B0504 x16	2  B0301 x18
2  B0304 x4	2  B0511 x4	2  B0510 x4	P  B0905 x2	2  B0328 x2
P  D0154 x4	2  B1702 x4	2  B0307 x2	2  B0201 x1	





B0502



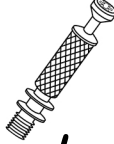
x4

B0503



x4

B0504



x4

B0501

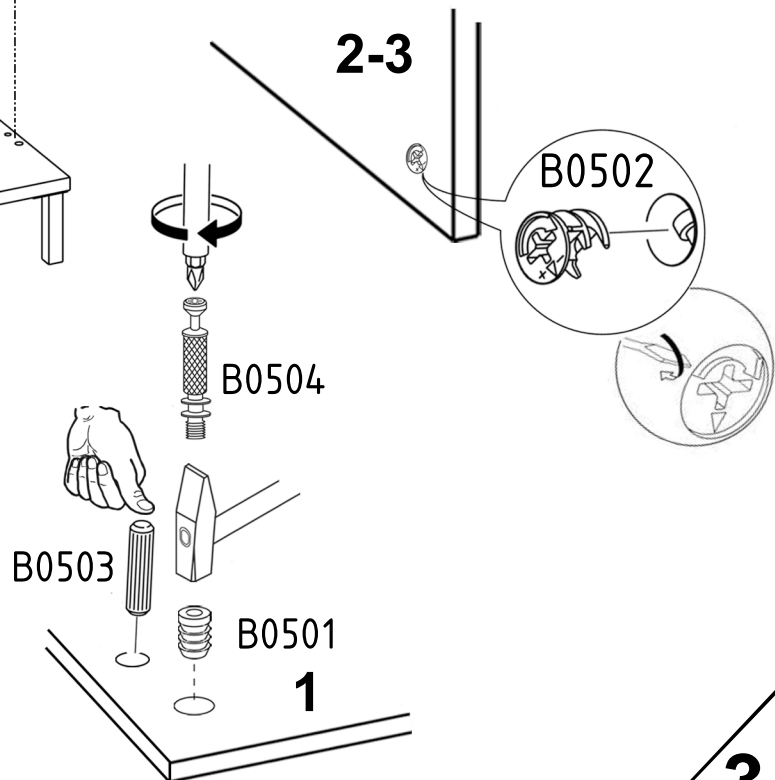
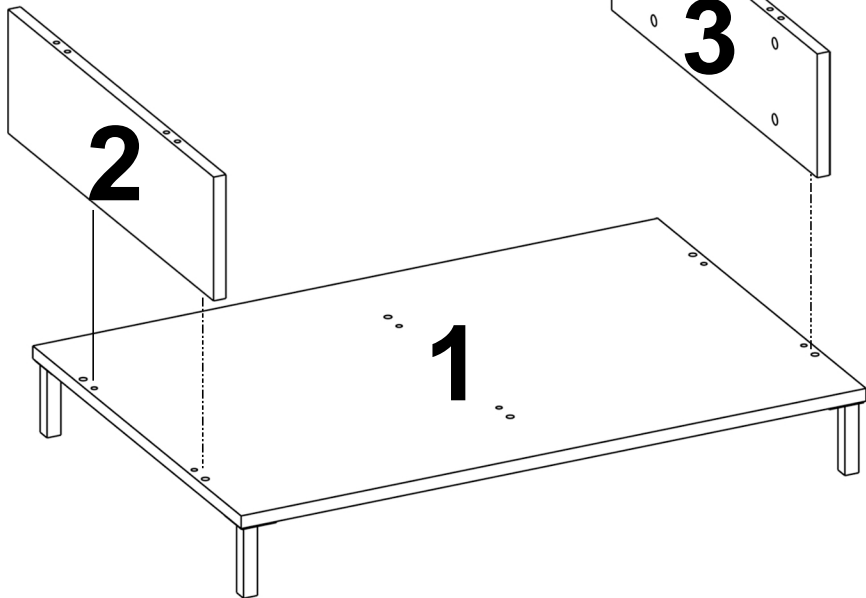
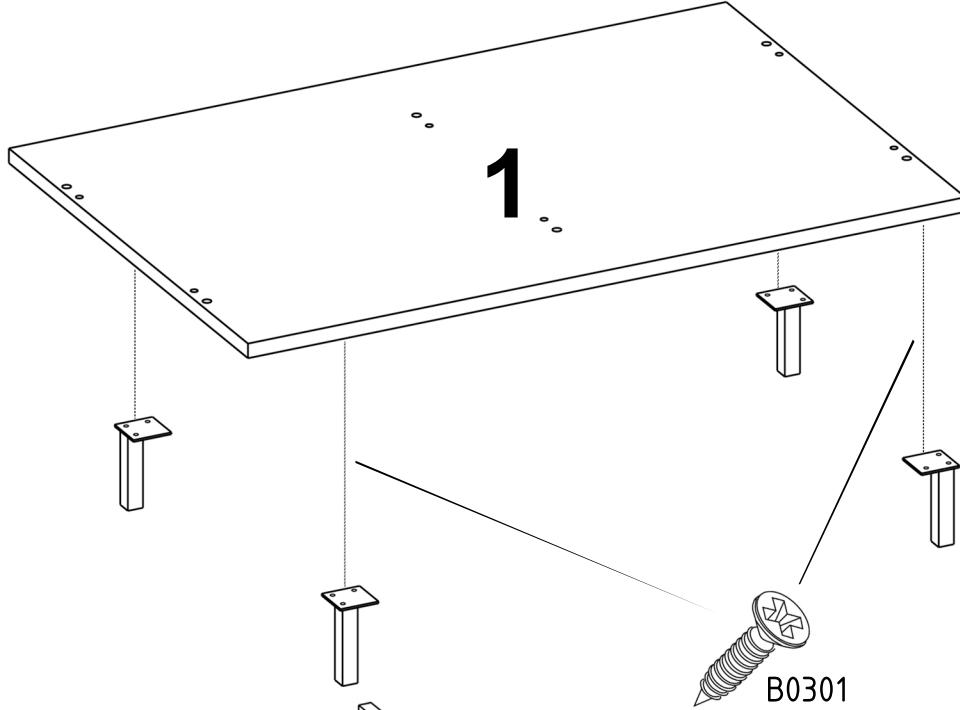
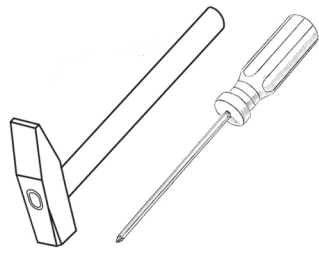


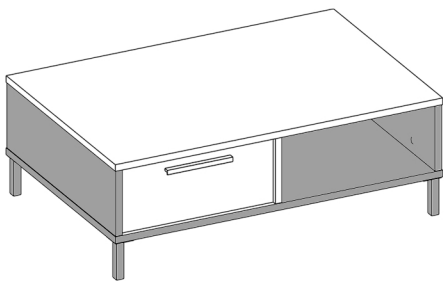
x4

B0301



x12



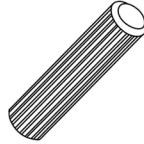


B0502



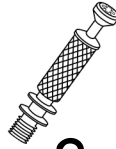
x2

B0503



x2

B0504

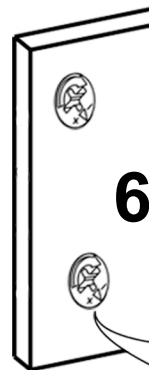
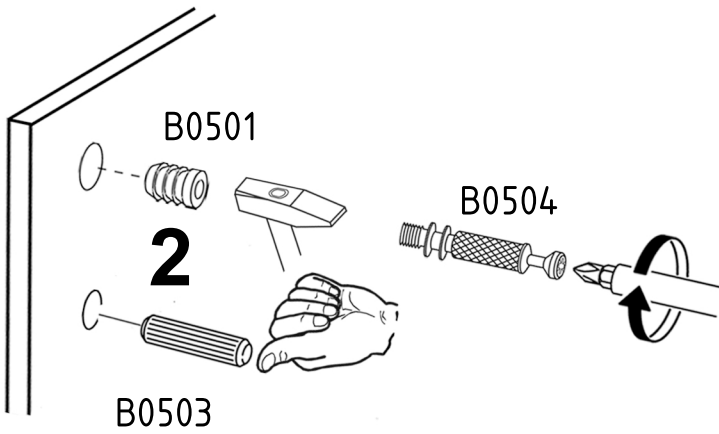
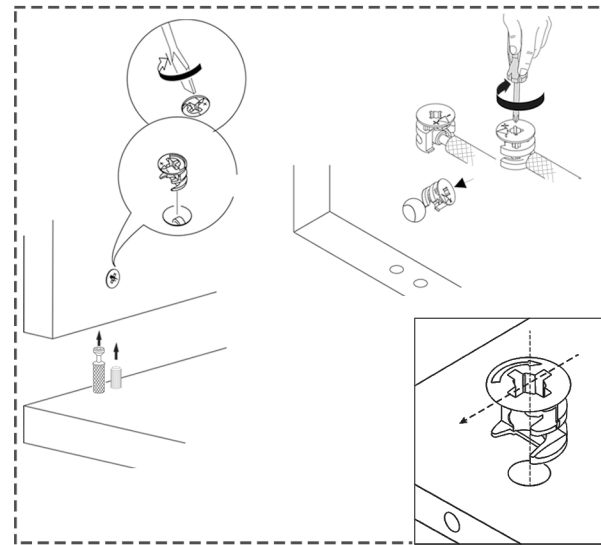
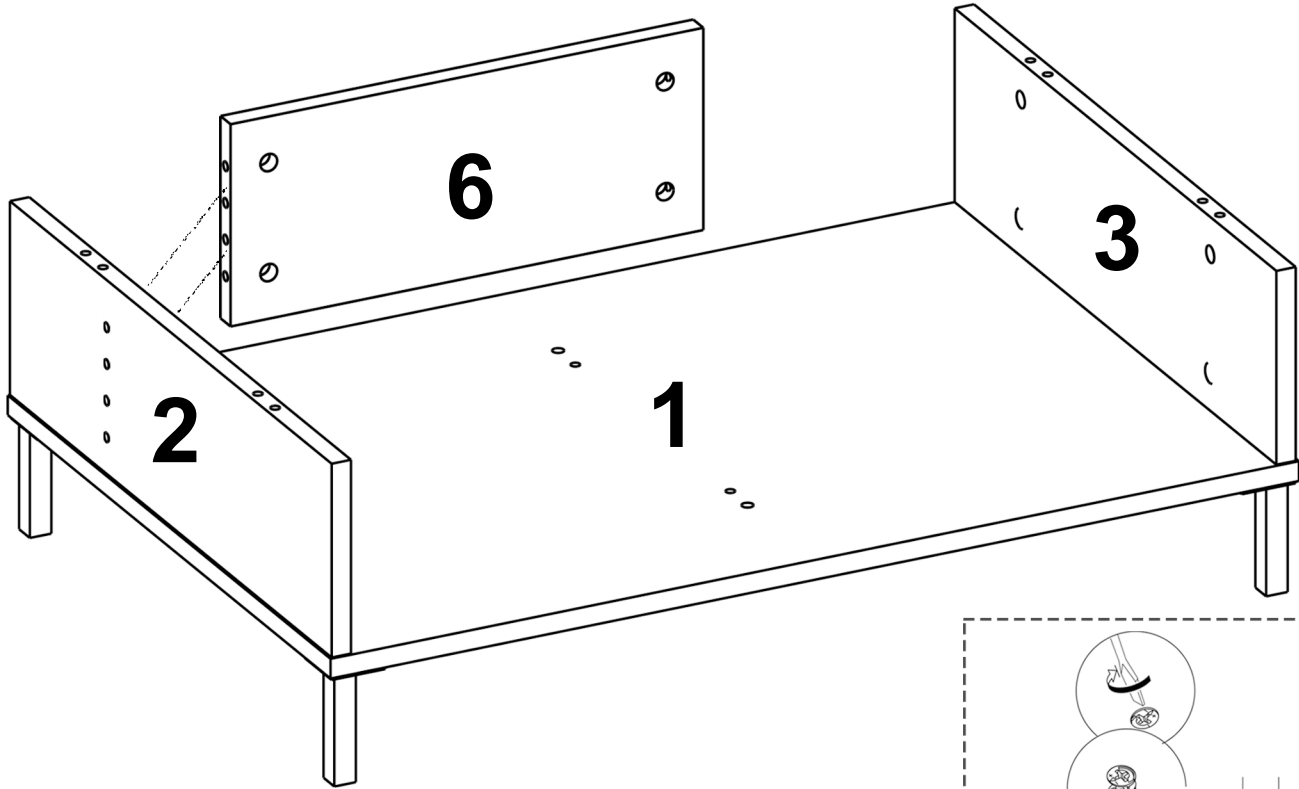
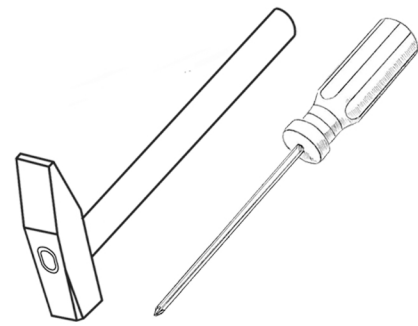


x2

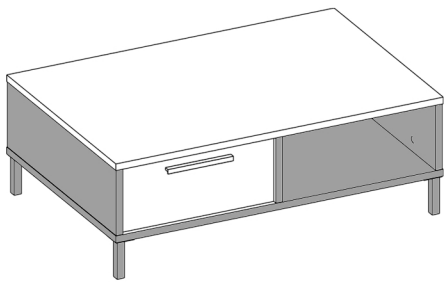
B0501



x2



B0502

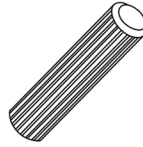


B0502



x4

B0503



x4

B0504

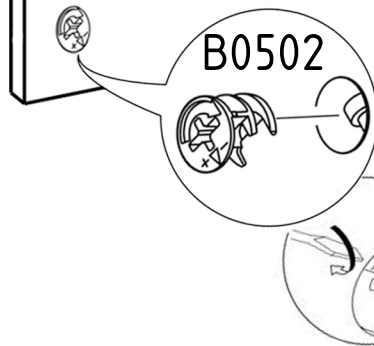
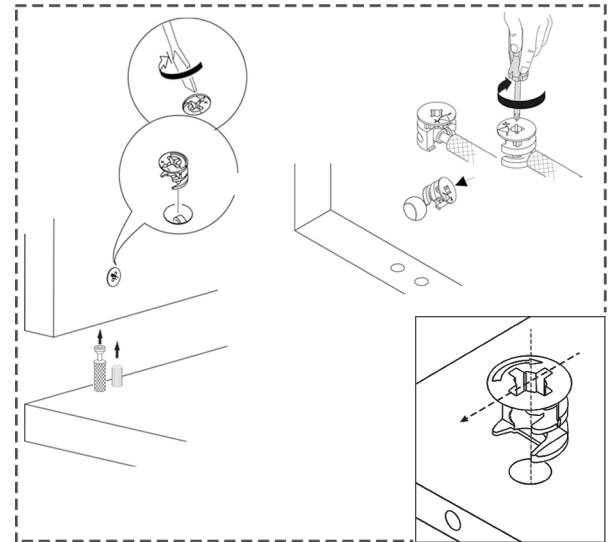
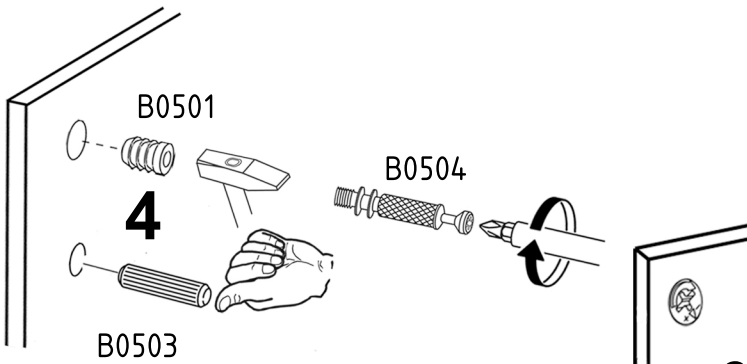
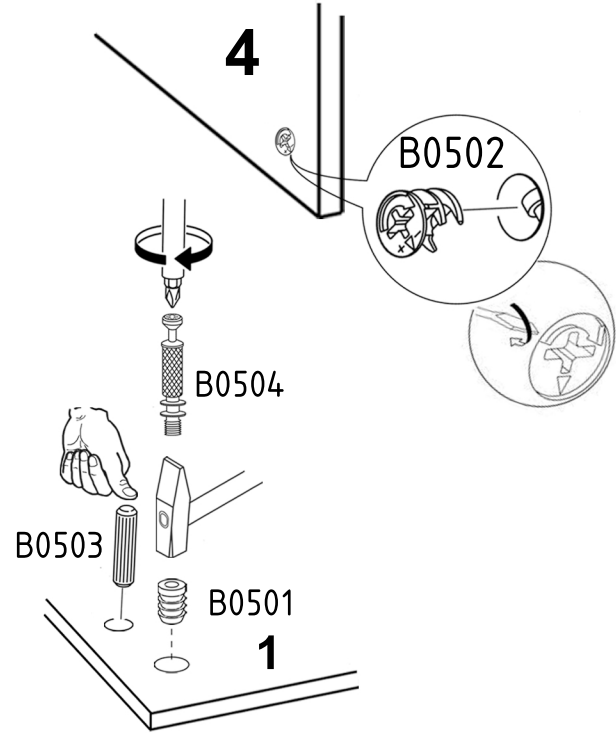
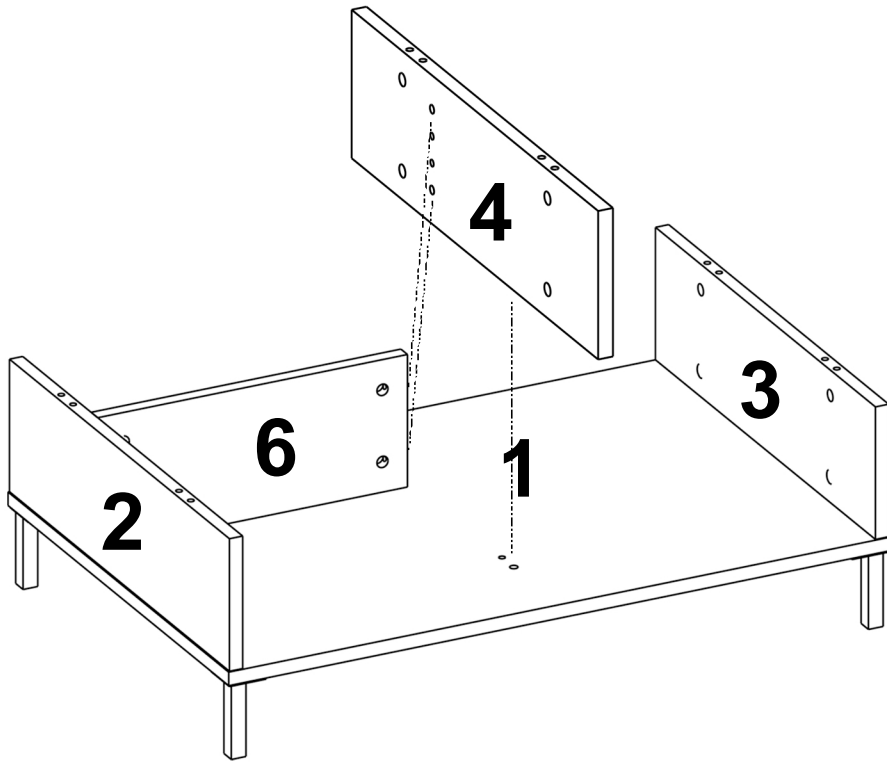
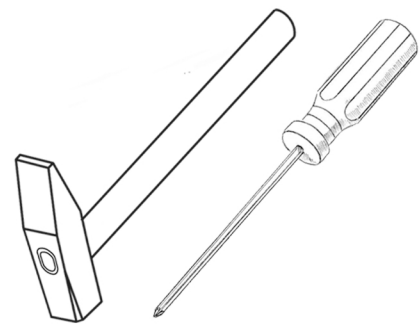


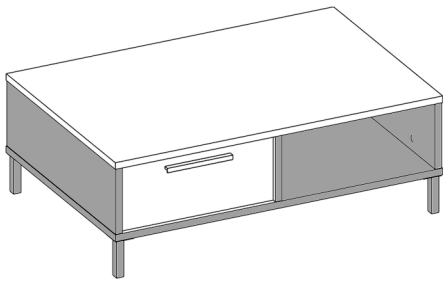
x4

B0501



x4





B0510

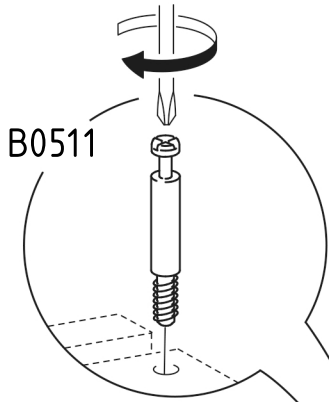
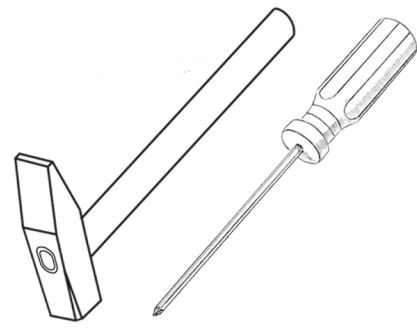


x4

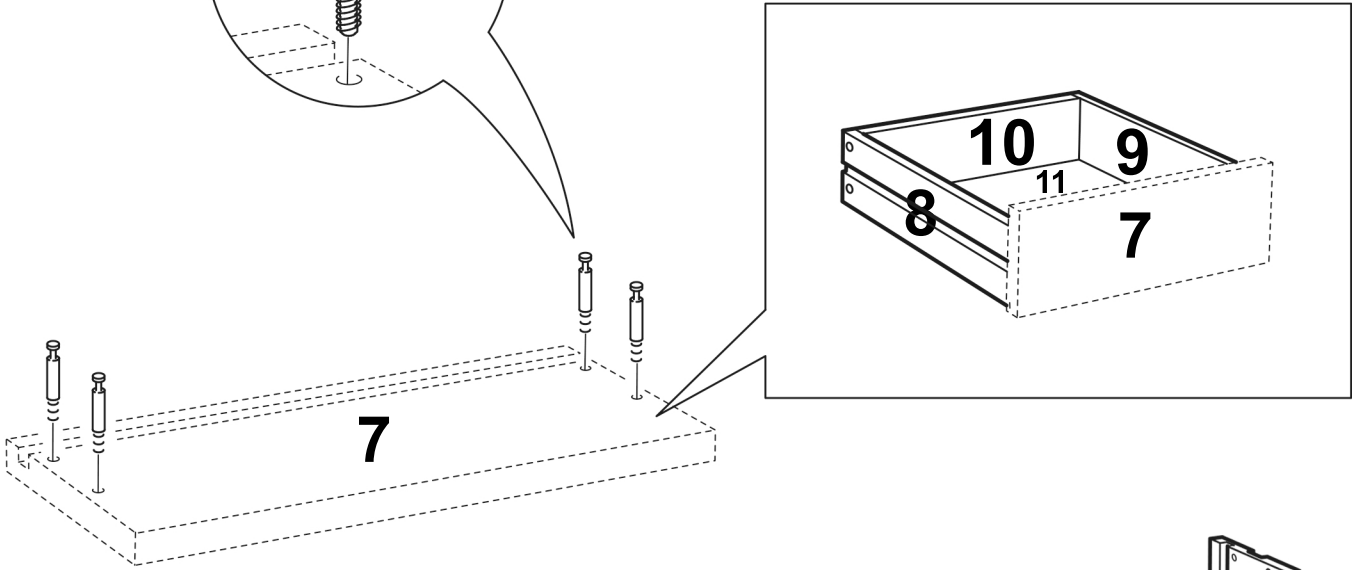
B0511



x4



B0511

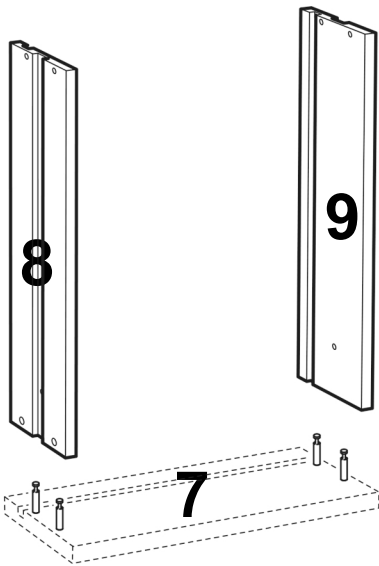


7

8

9

7

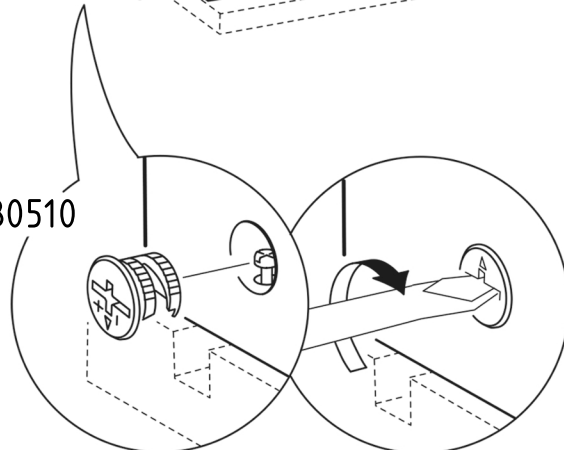


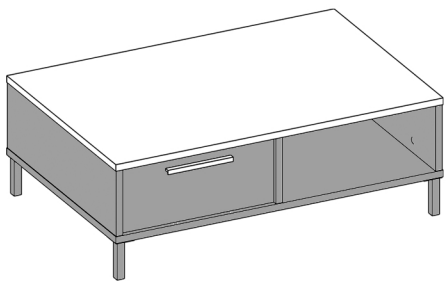
8

9

7

B0510





B0304



x4

B0301

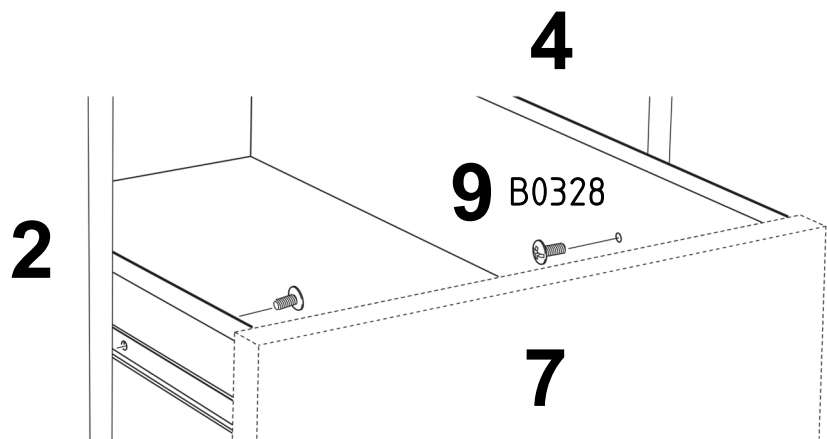
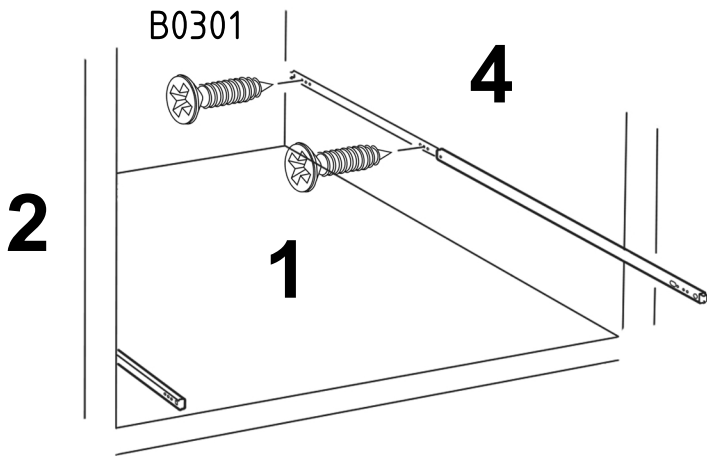
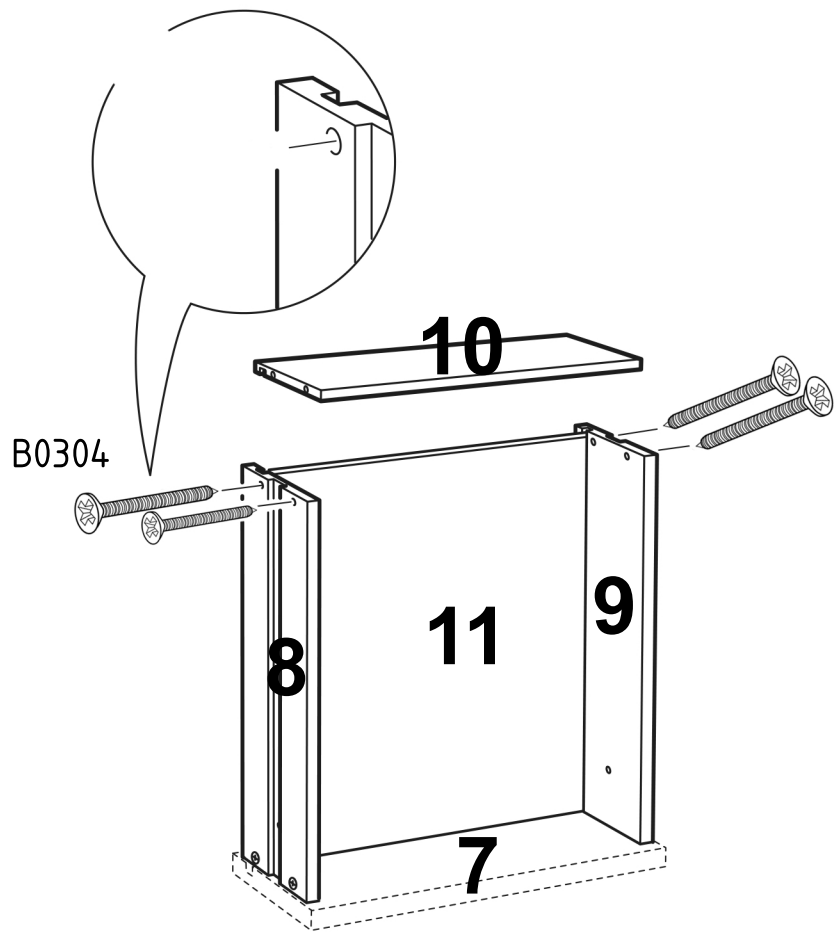
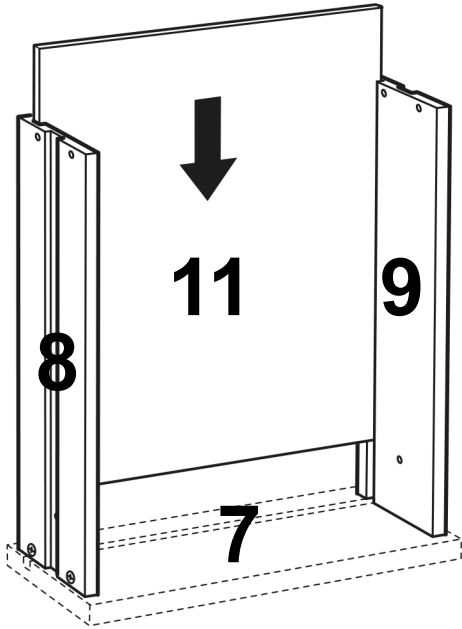
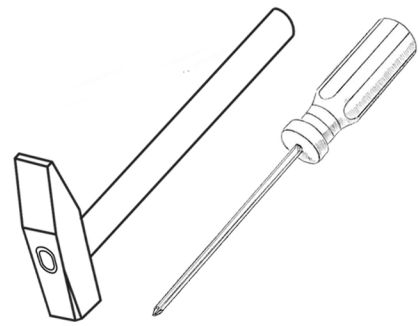


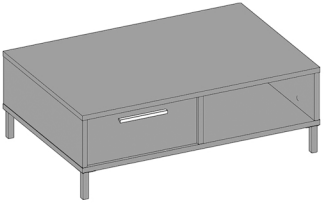
x4

B0328



x2





B0502

B0503

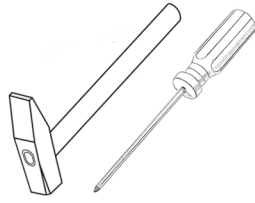
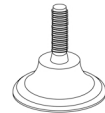
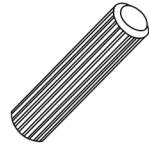
B0504

B0501

B0307

D0154

B1702



x6

x6

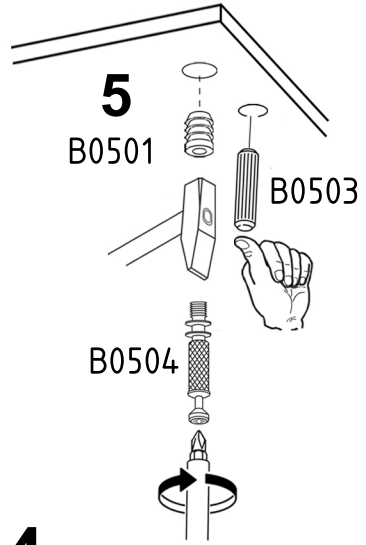
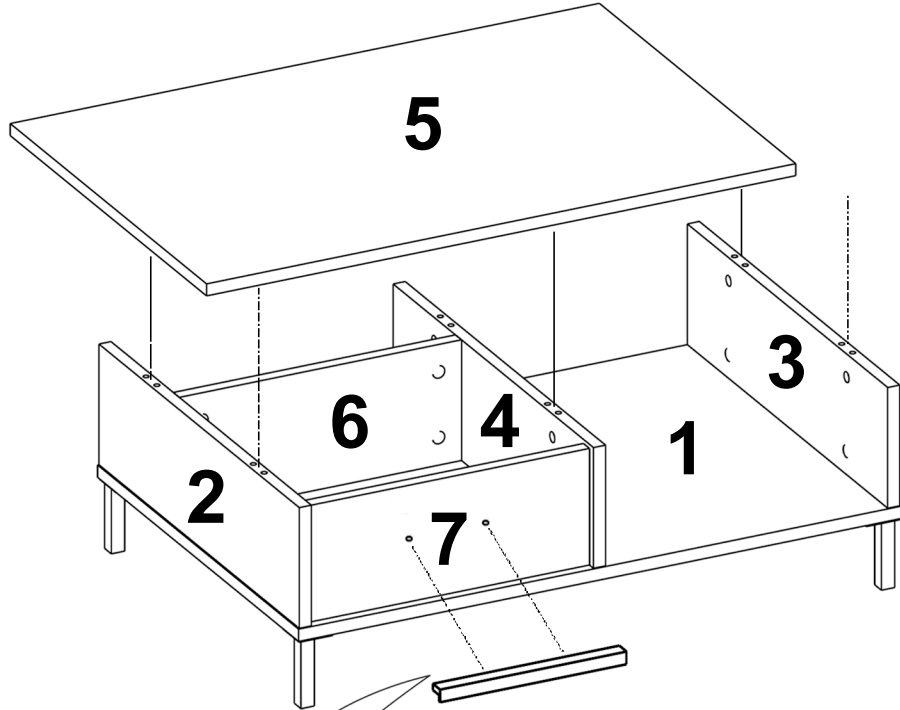
x6

x6

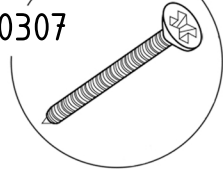
x2

x1

x4

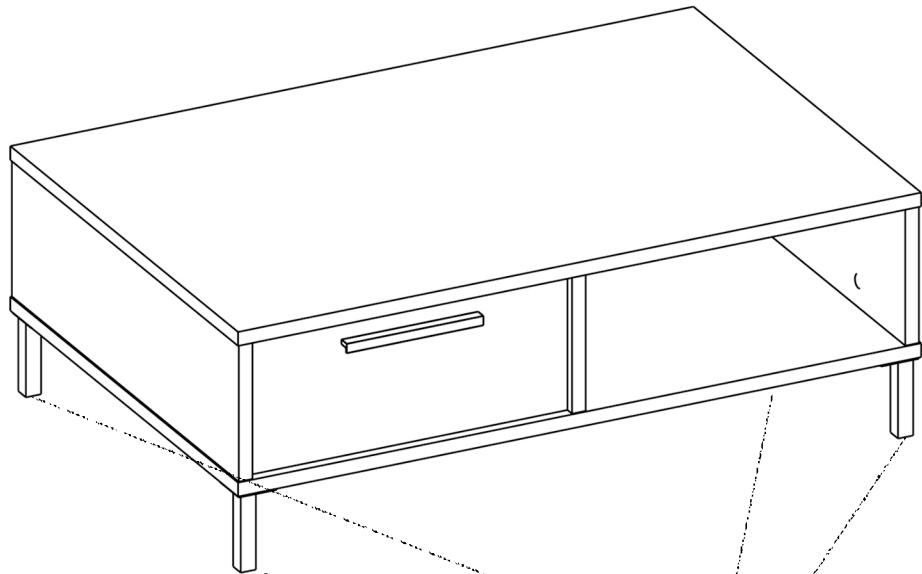
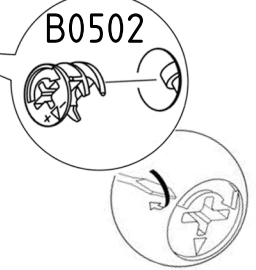


B0307



2-3-4

B0502



B1702

