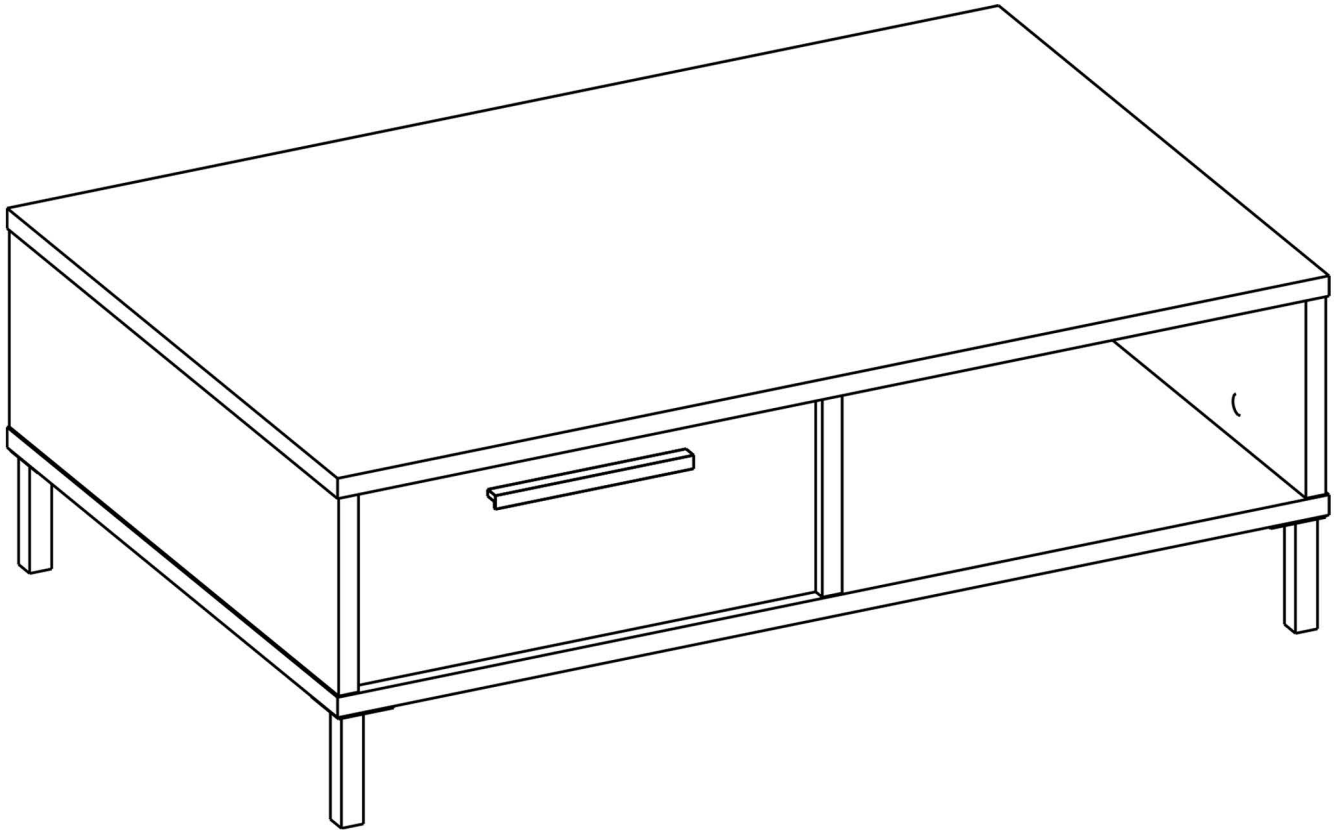


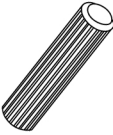


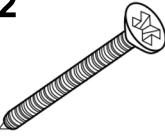


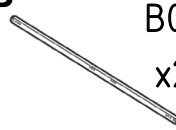

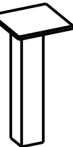
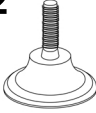


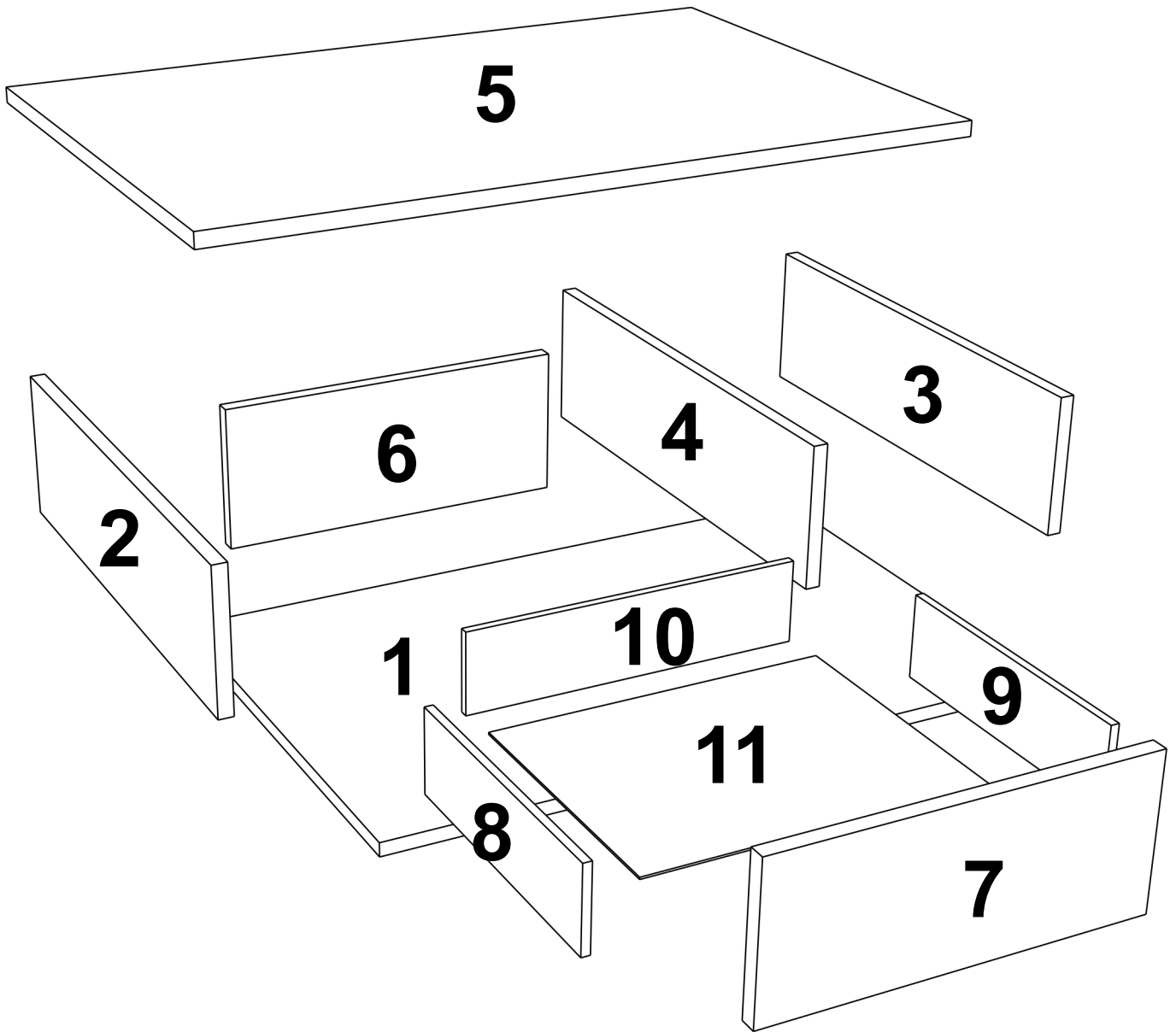
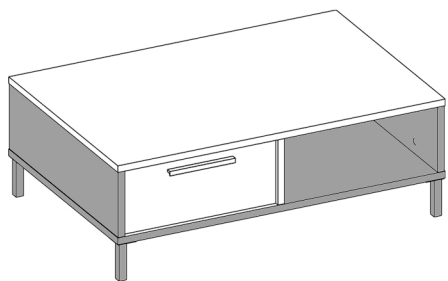


176-000131



<b>1</b>  B0501 x16	<b>1</b>  B0502 x16	<b>1</b>  B0503 x16	<b>1</b>  B0504 x16	<b>2</b>  B0301 x18
<b>2</b>  B0304 x4	<b>2</b>  B0511 x4	<b>2</b>  B0510 x4	<b>P</b>  B0905 x2	<b>2</b>  B0328 x2
<b>P</b>  D0154 x4	<b>2</b>  B1702 x4	<b>2</b>  B0307 x2	<b>2</b>  B0201 x1	



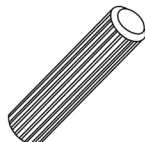


B0502



x4

B0503



x4

B0504



x4

B0501

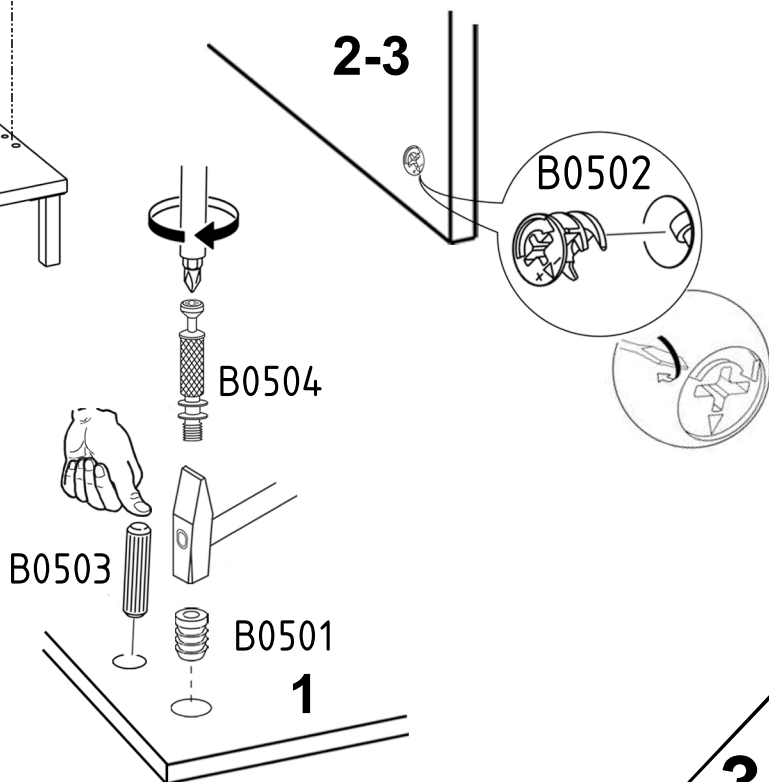
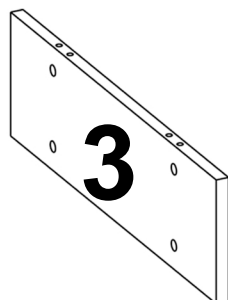
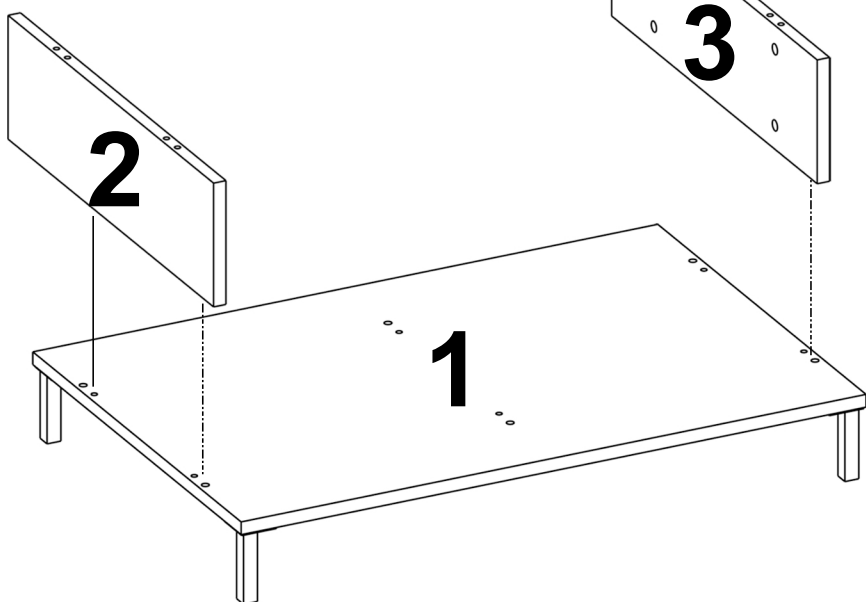
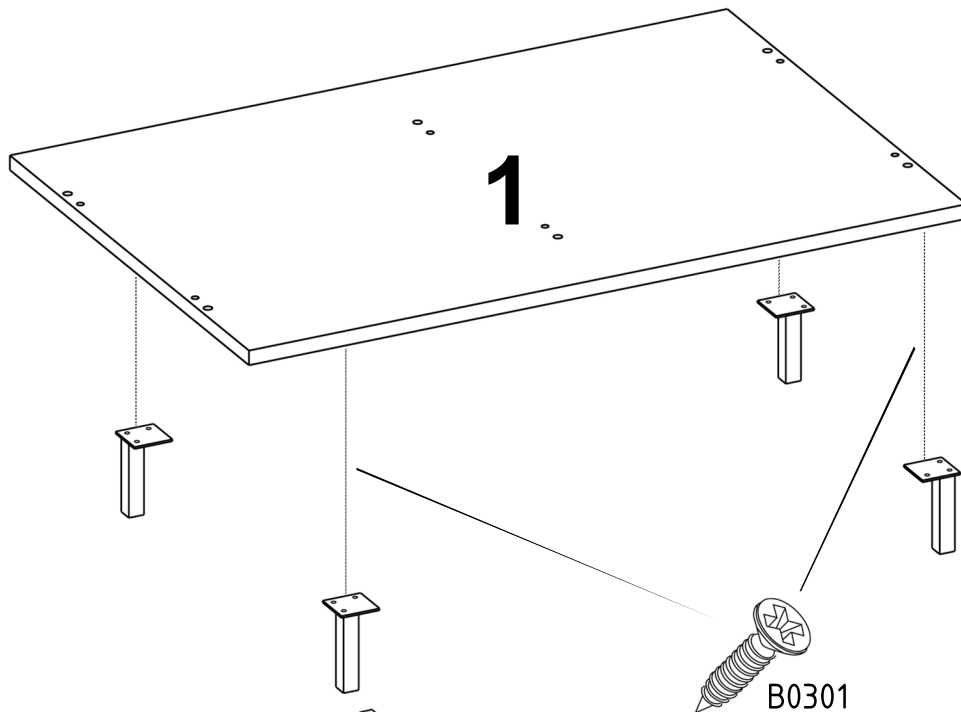
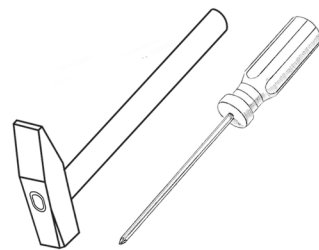


x4

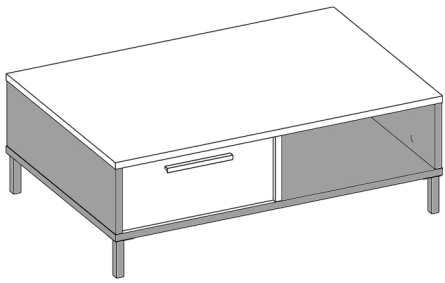
B0301



x12



3

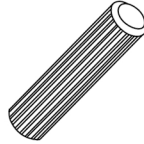


B0502



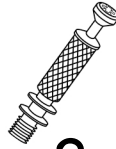
x2

B0503



x2

B0504

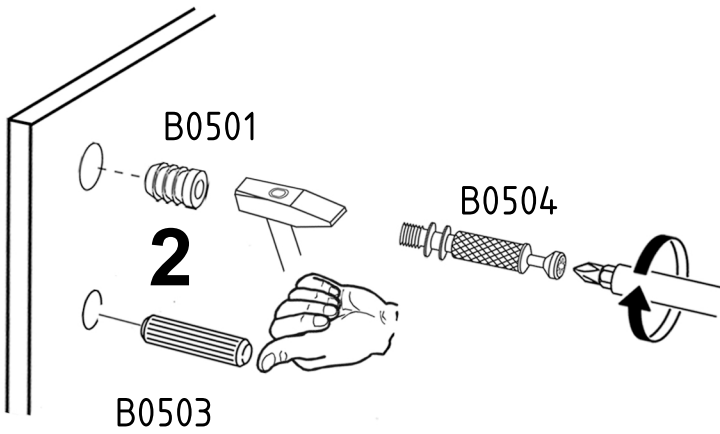
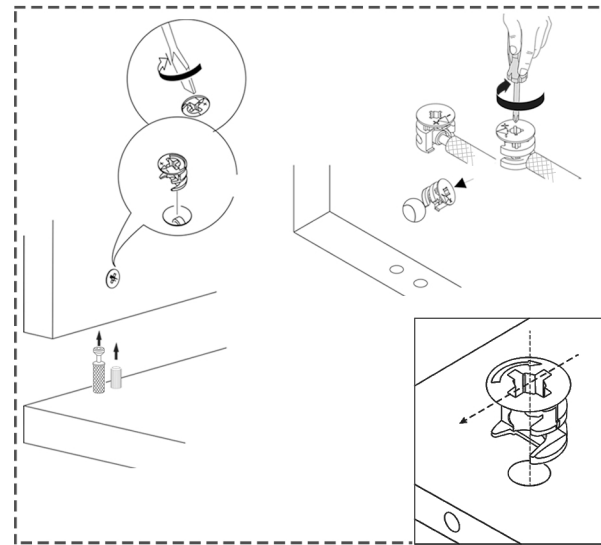
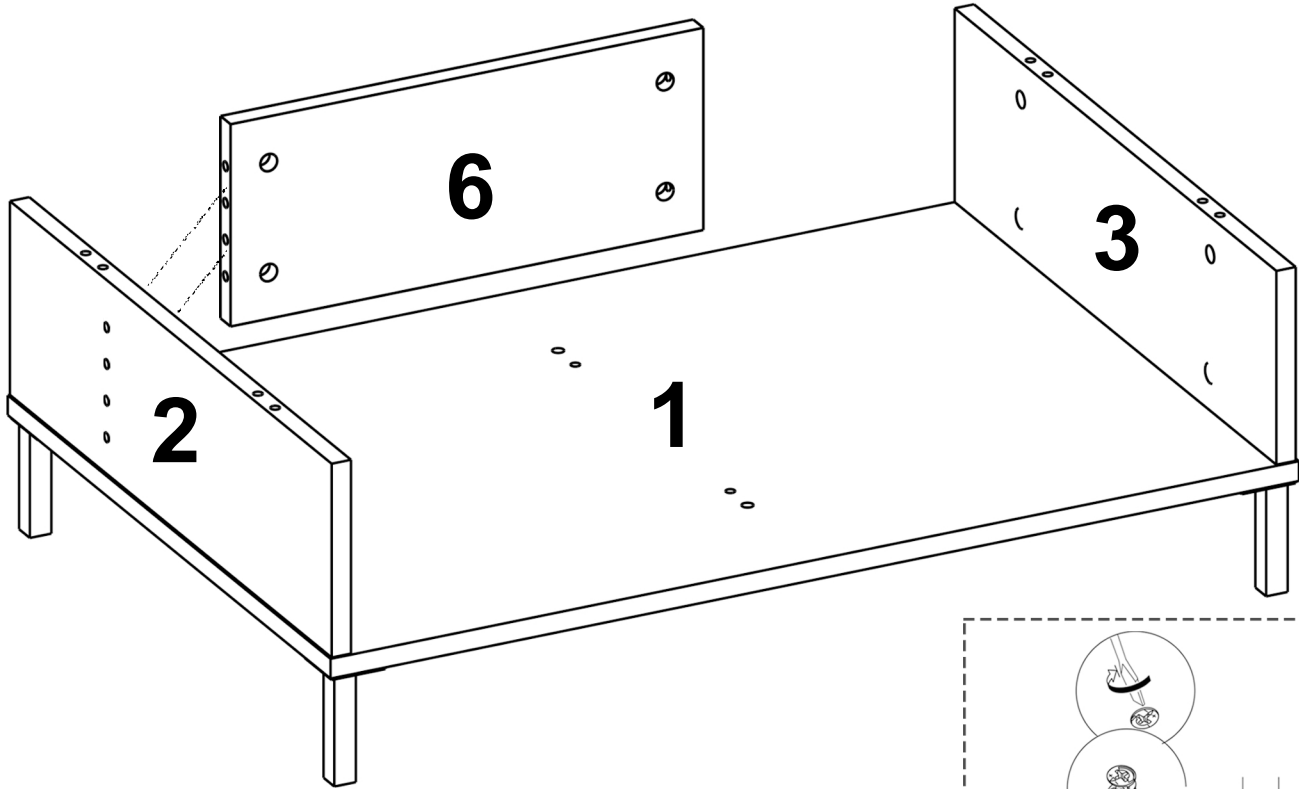
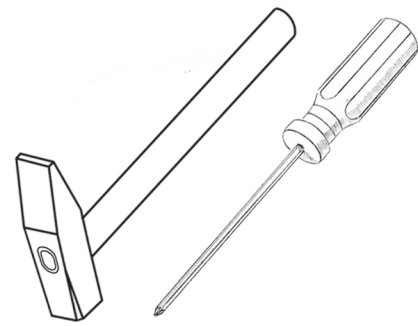


x2

B0501



x2

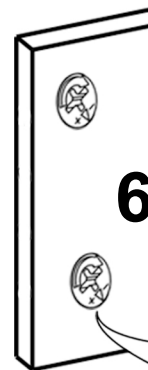


B0501

2

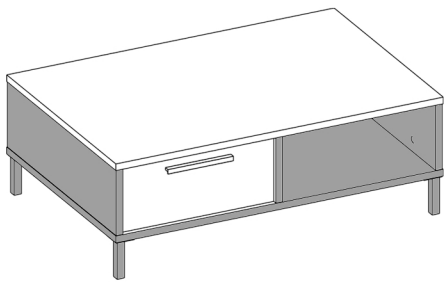
B0503

B0504



6

B0502

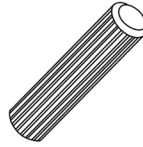


B0502



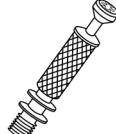
x4

B0503



x4

B0504

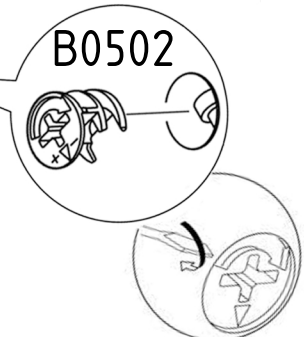
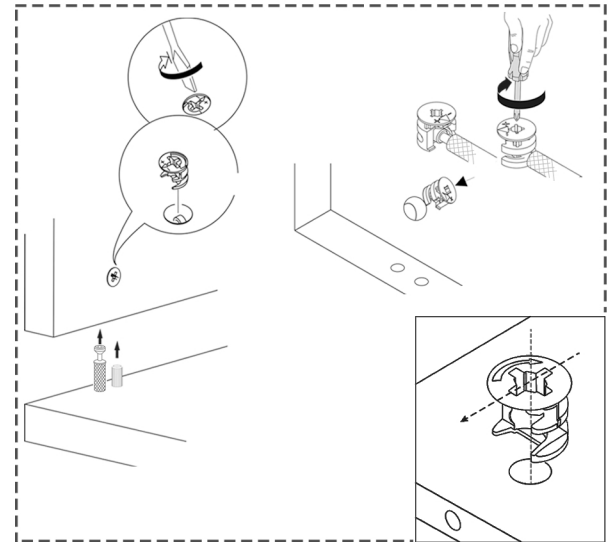
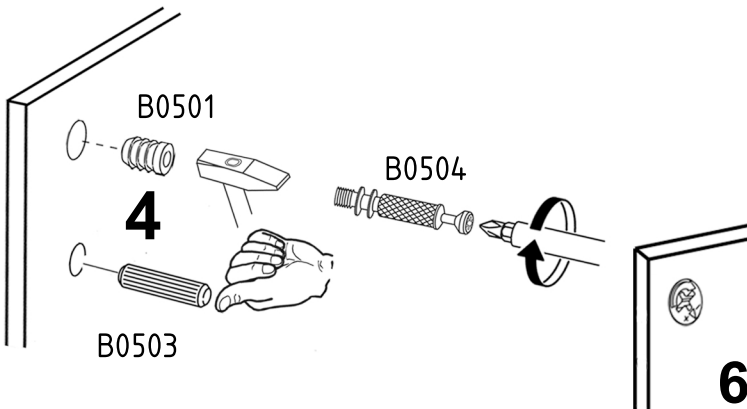
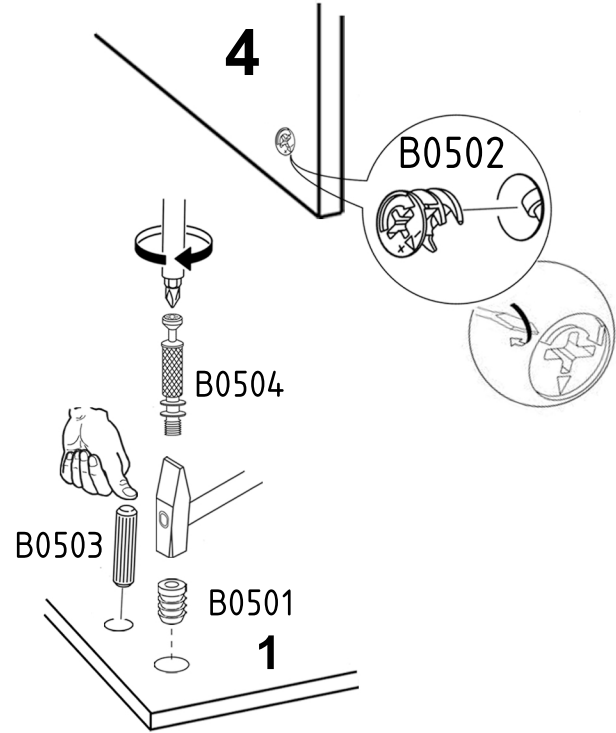
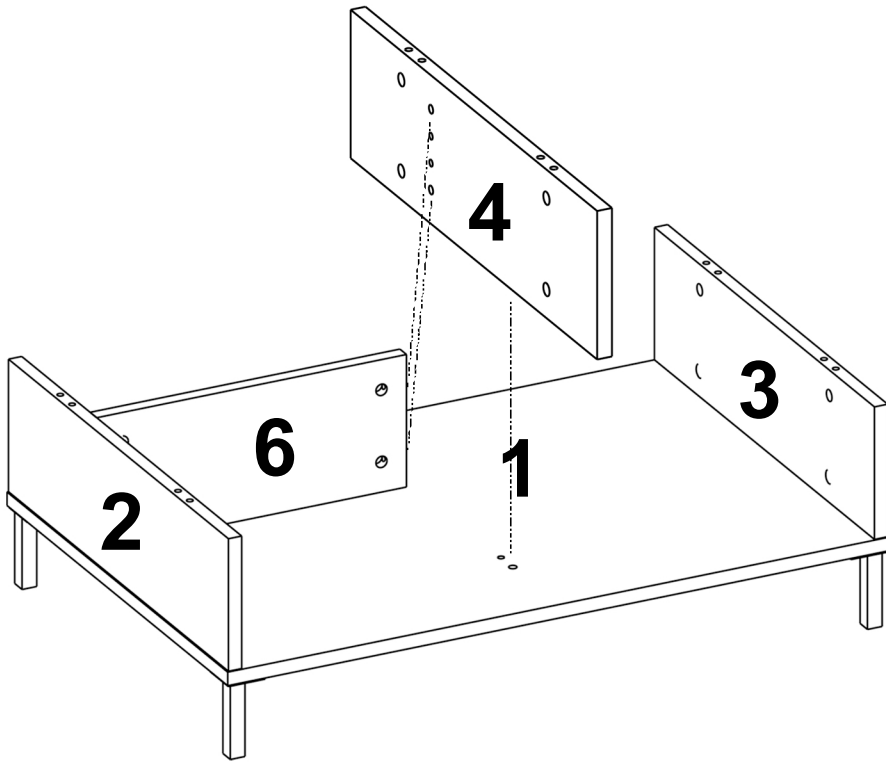
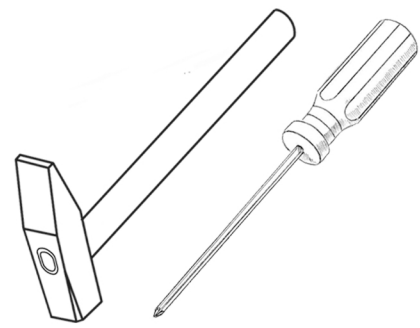


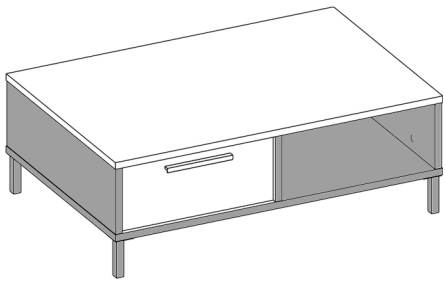
x4

B0501



x4





B0510

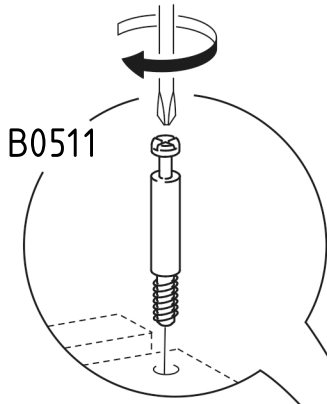
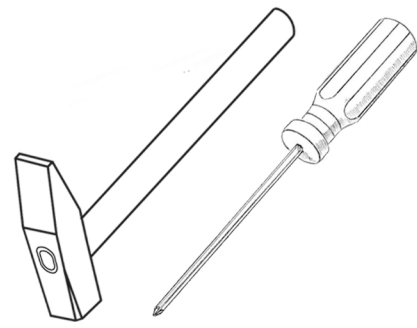


x4

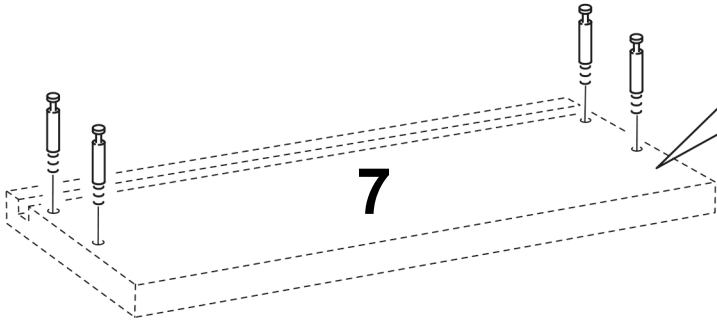
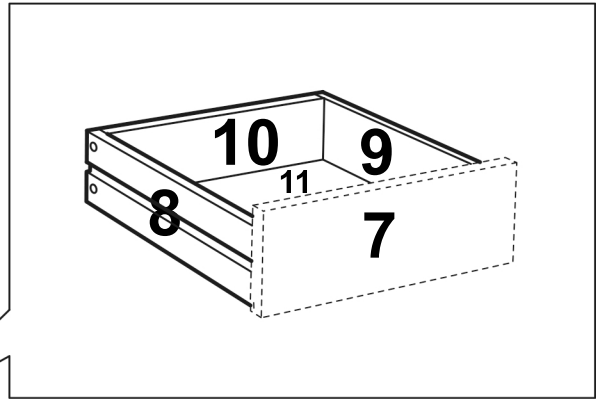
B0511



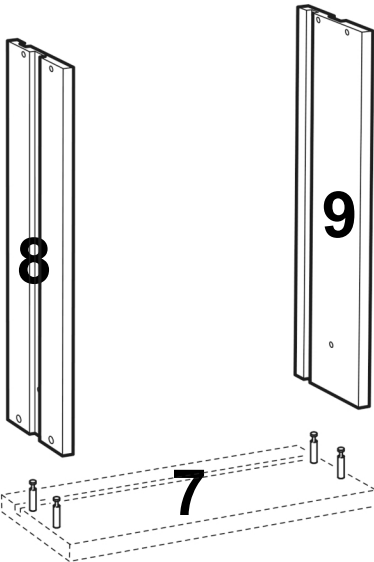
x4



B0511



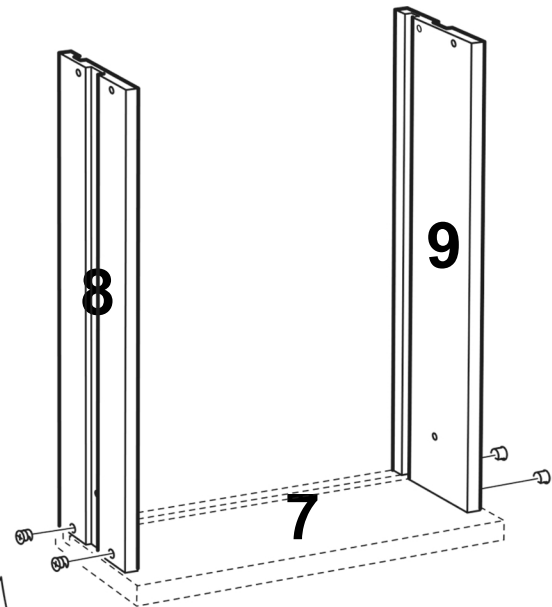
7



8

9

7

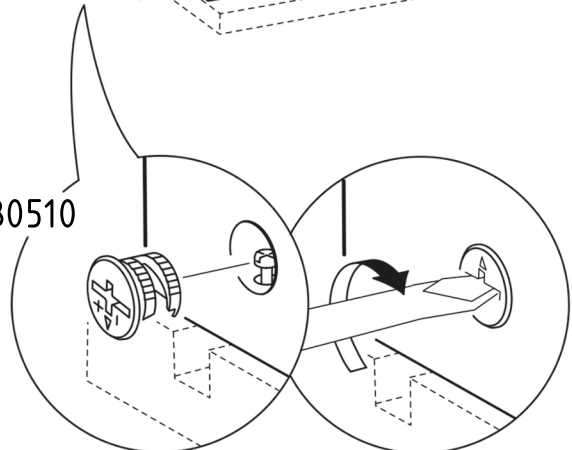


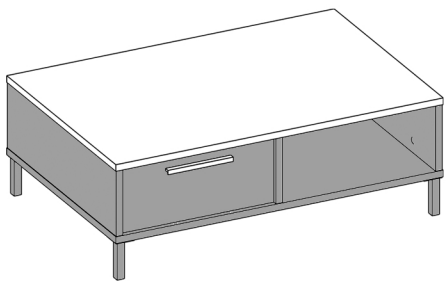
8

9

7

B0510





B0304



x4

B0301

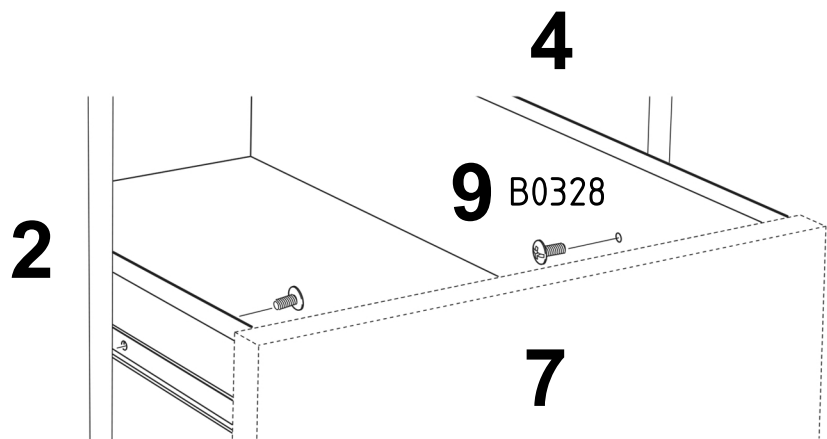
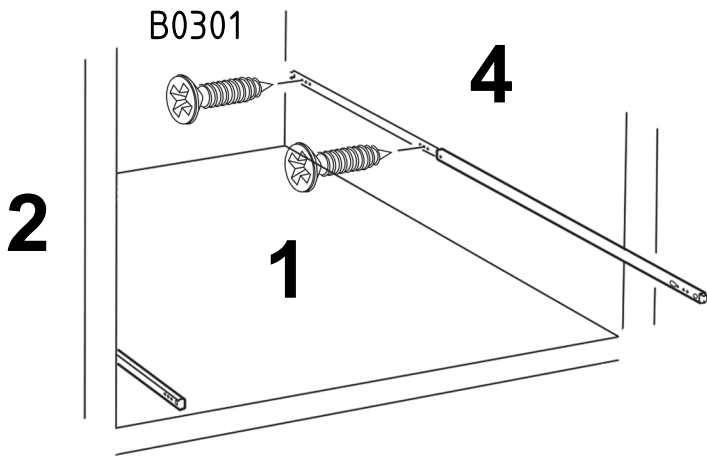
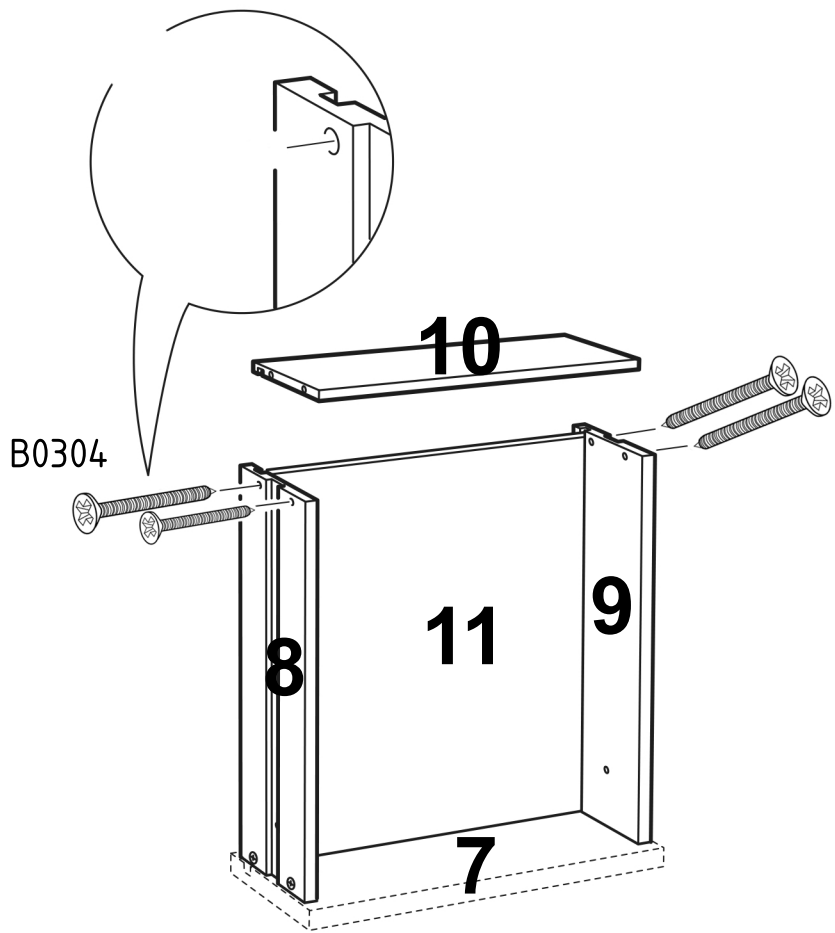
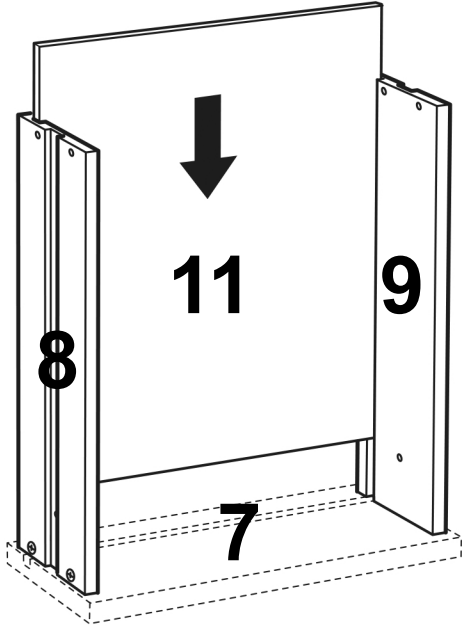
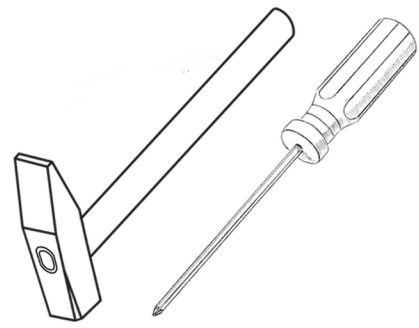


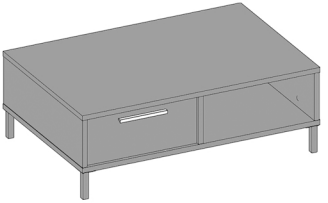
x4


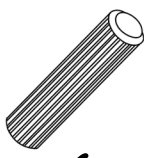
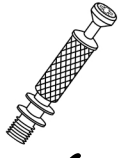



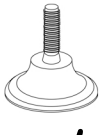
B0328



x2





- B0502  
  
x6
- B0503  
  
x6
- B0504  
  
x6
- B0501  
  
x6
- B0307  
  
x2
- D0154  
  
x1
- B1702  
  
x4

