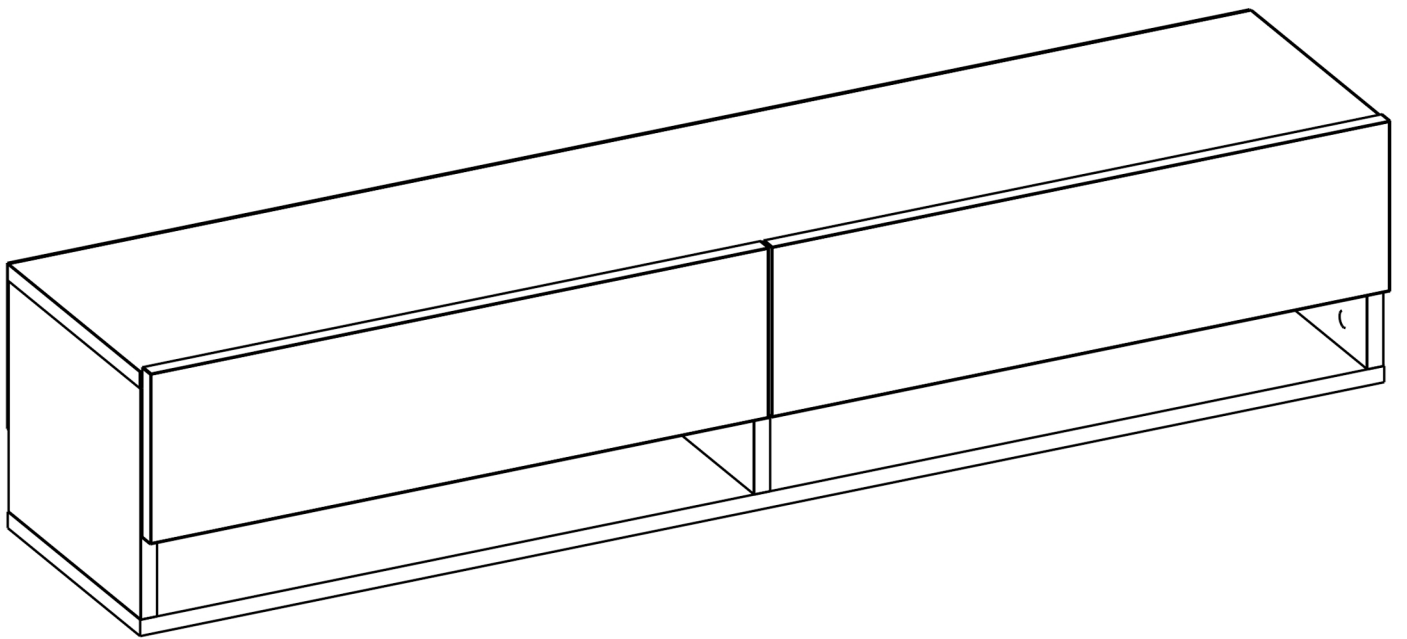


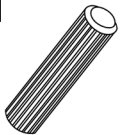


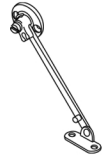


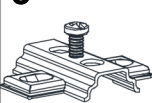
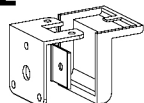
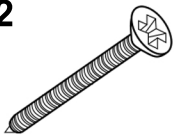
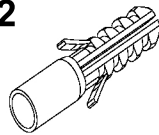
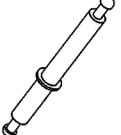
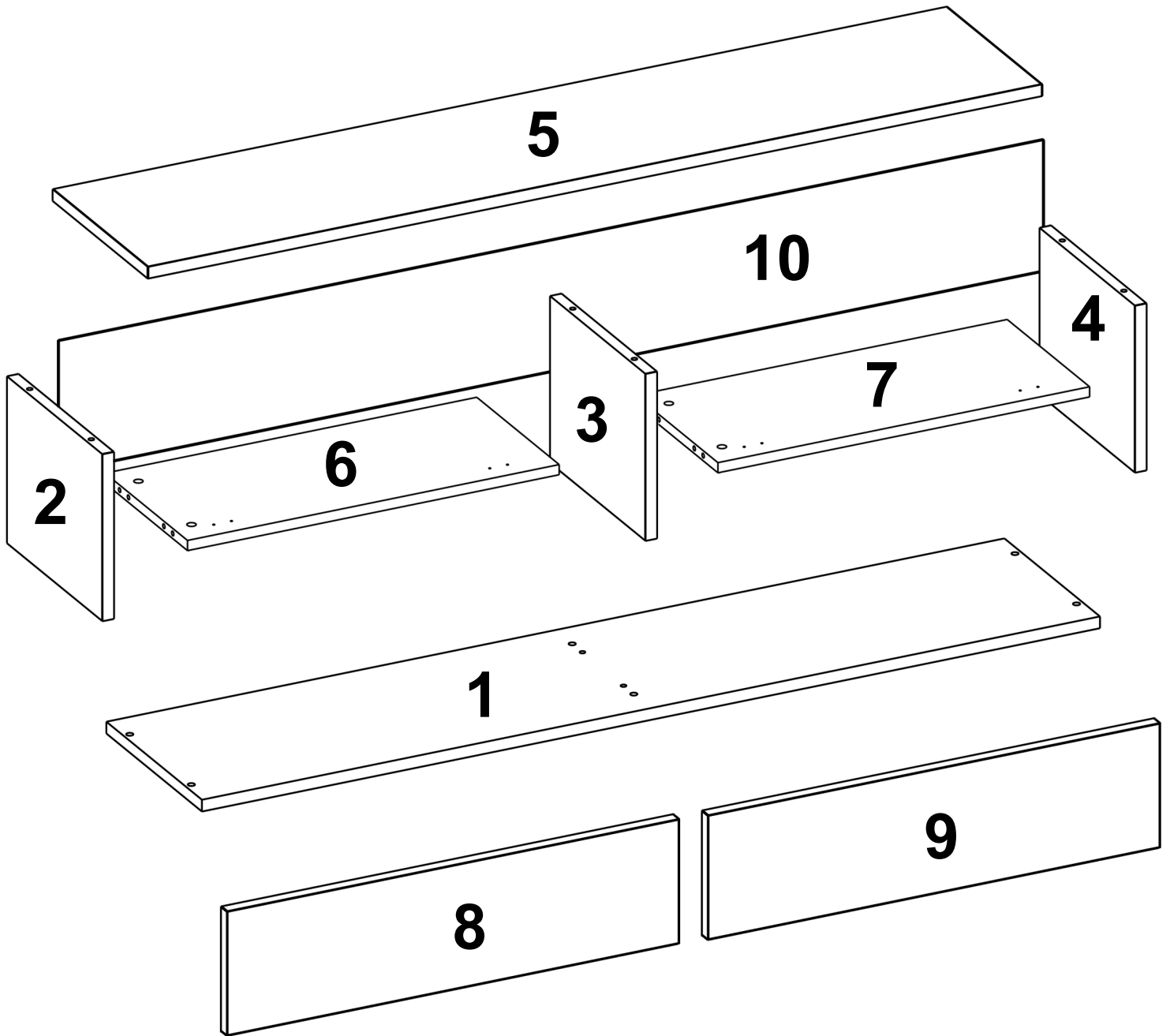
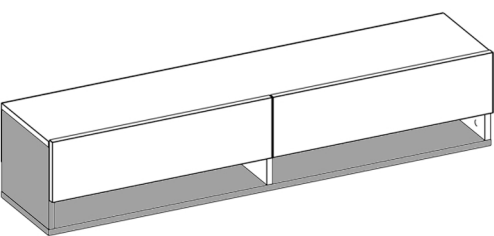


176-000064

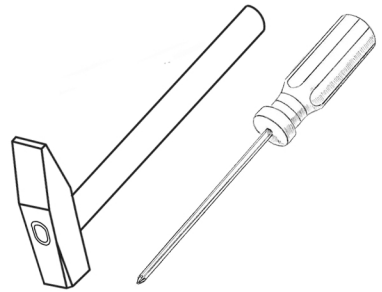


1  B0501 x16	1  B0502 x20	1  B0503 x16	1  B0504 x16	2  B0301 x44
P  B1102 x4	2  B0318 x28	3  B0101 x4	3  B0105 x4	2  B1303 x6
2  B0306 x6	2  B0317 x6	 B0506 x2		

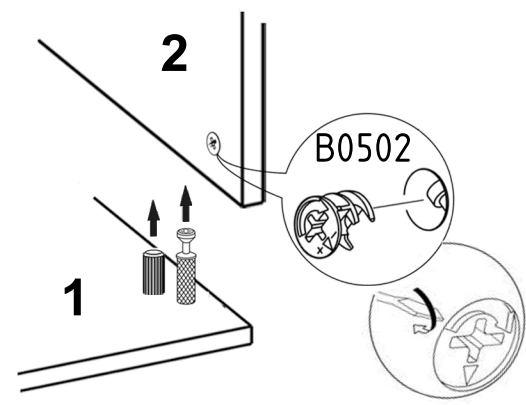
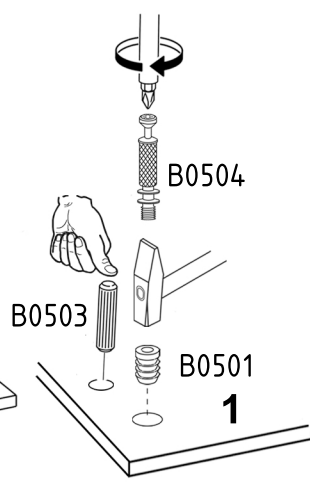
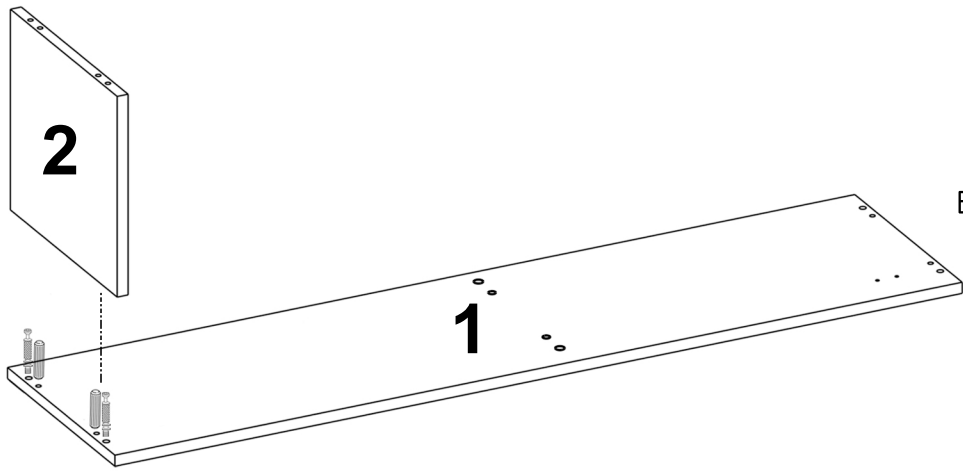




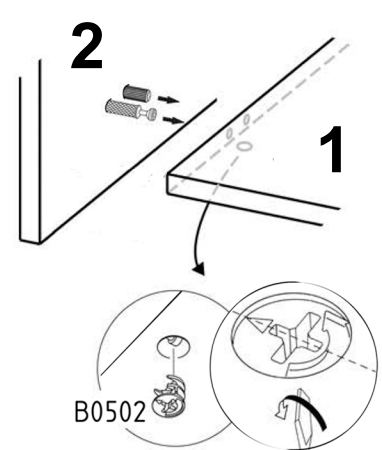
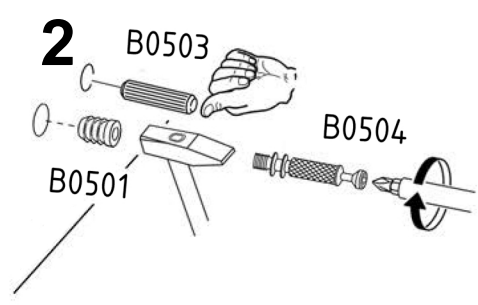
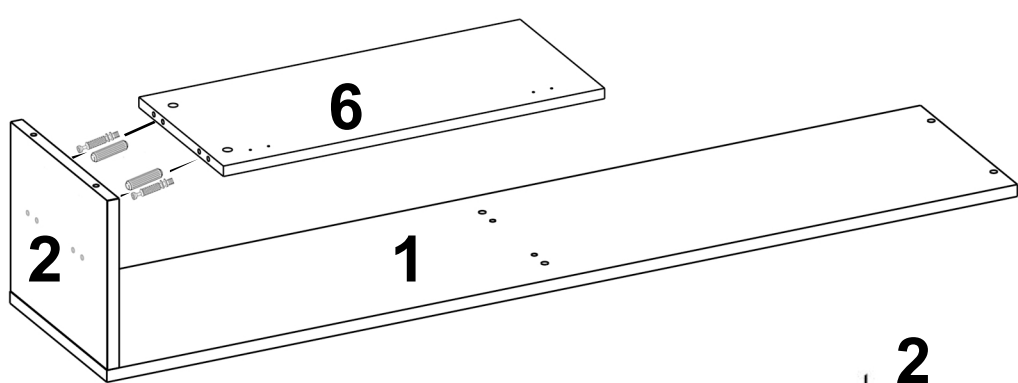
- B0502 X4
- B0503 X4
- B0504 X4
- B0501 X4



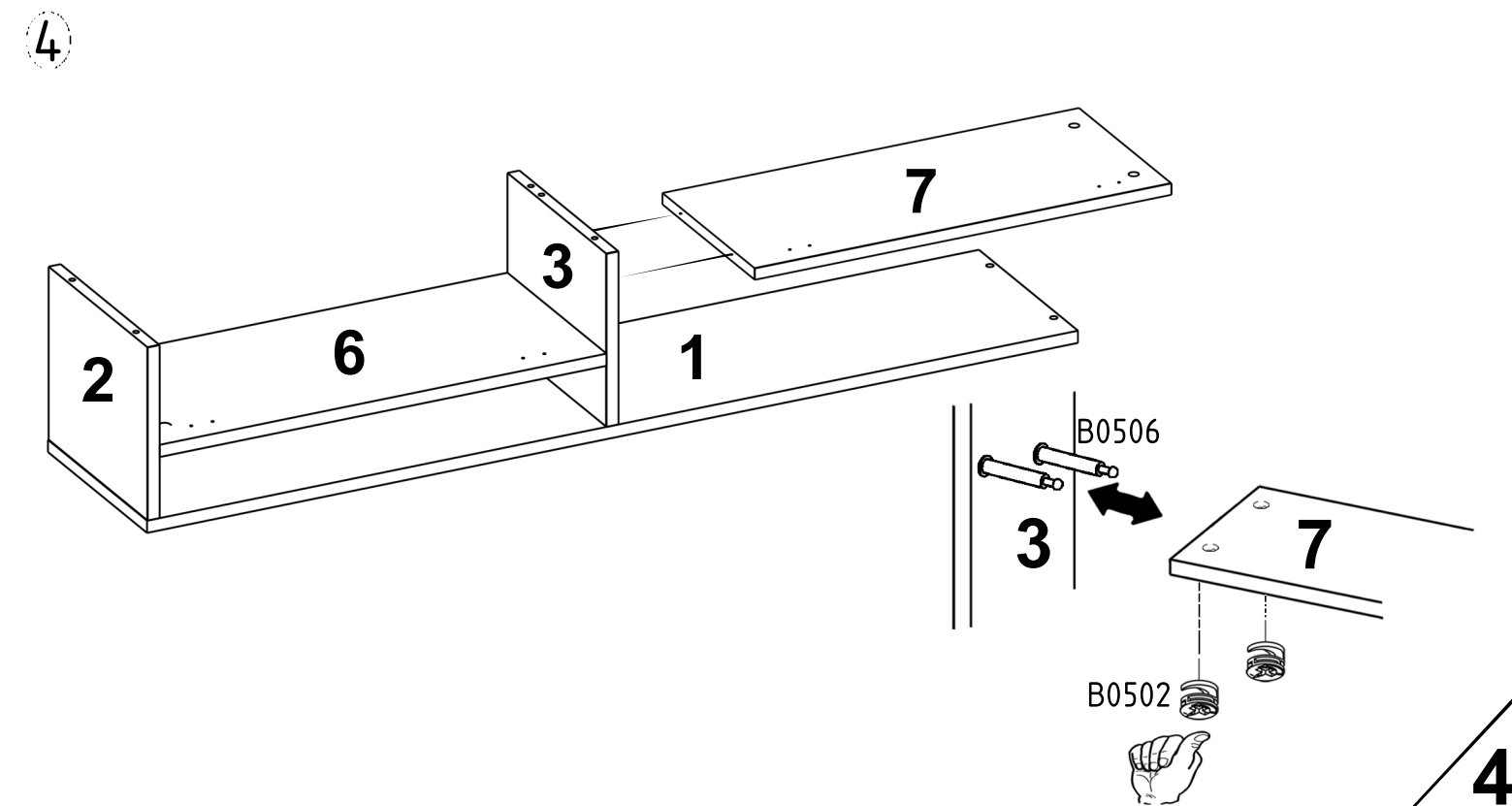
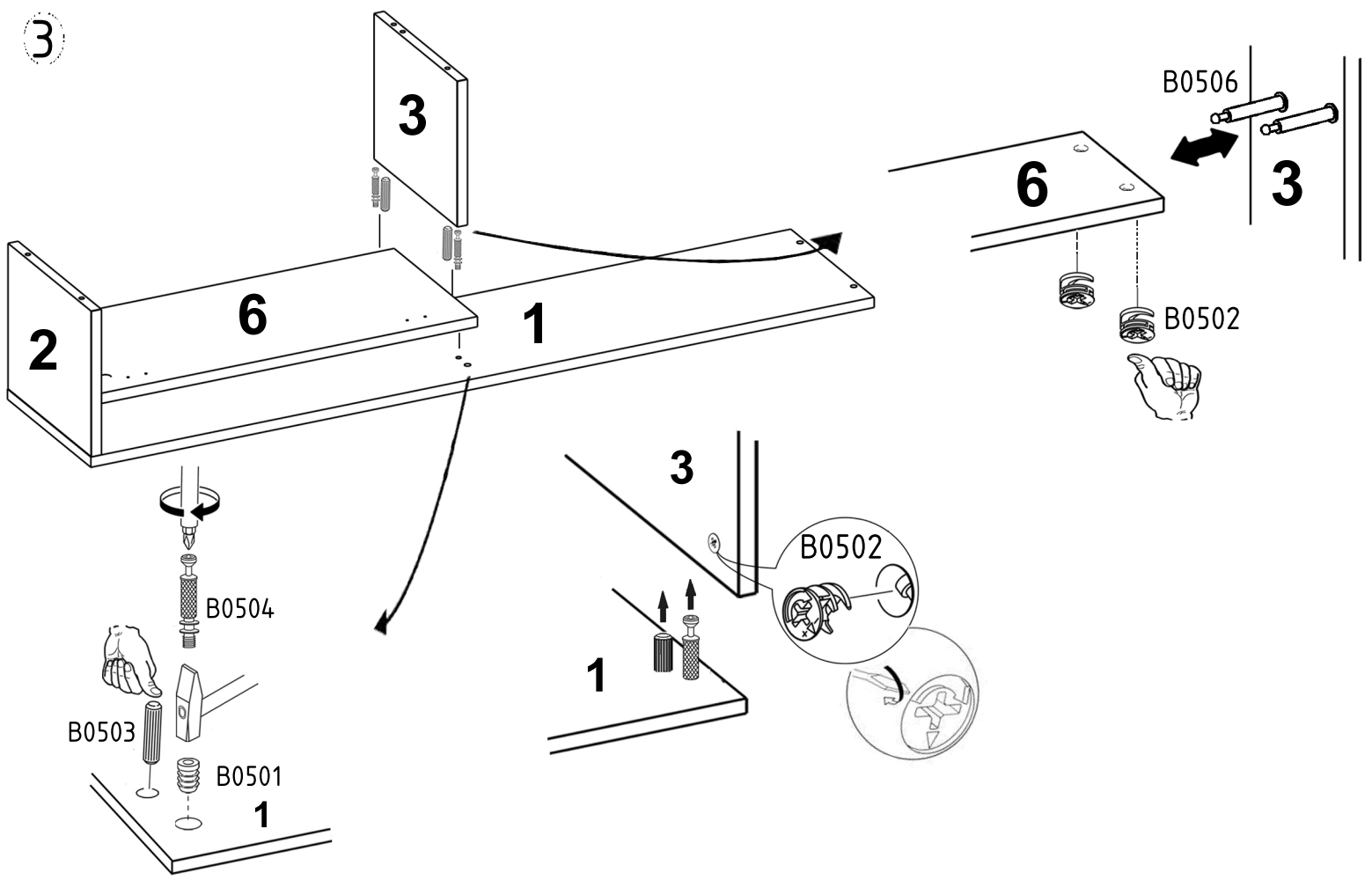
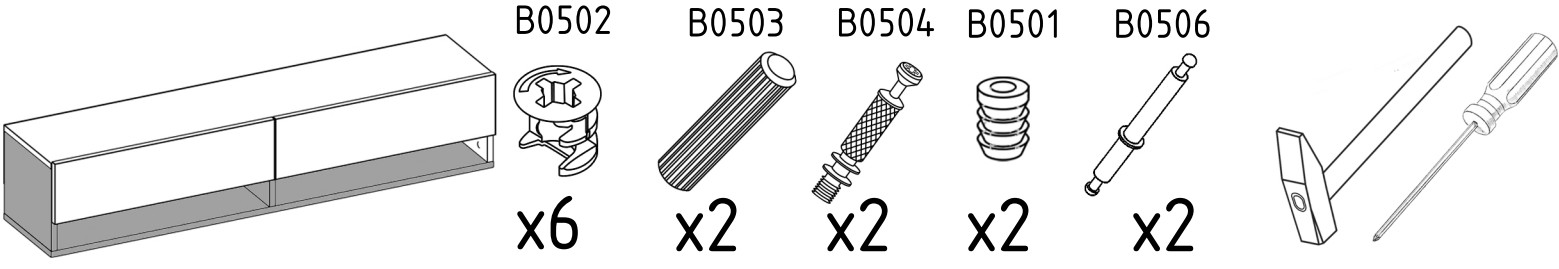
1

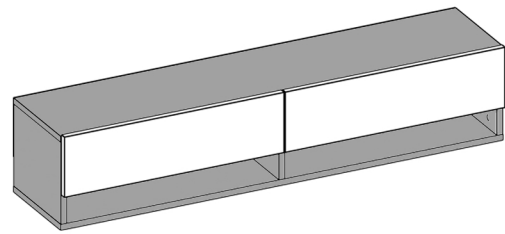


2



3





B0502



x10

B0503



x10

B0504

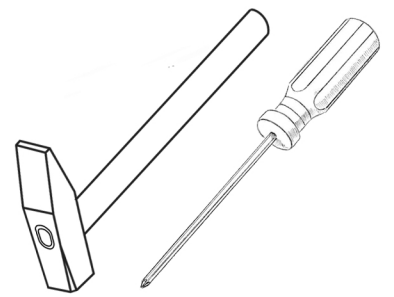


x10

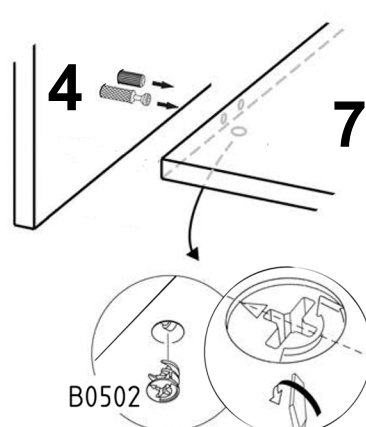
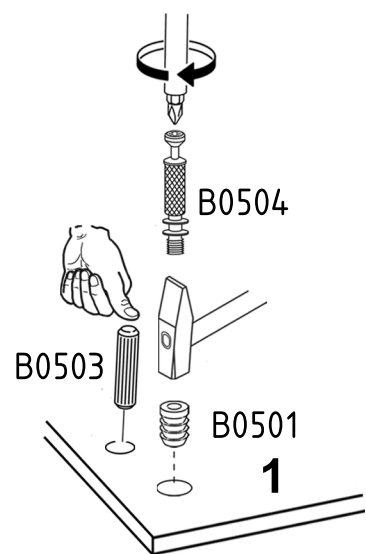
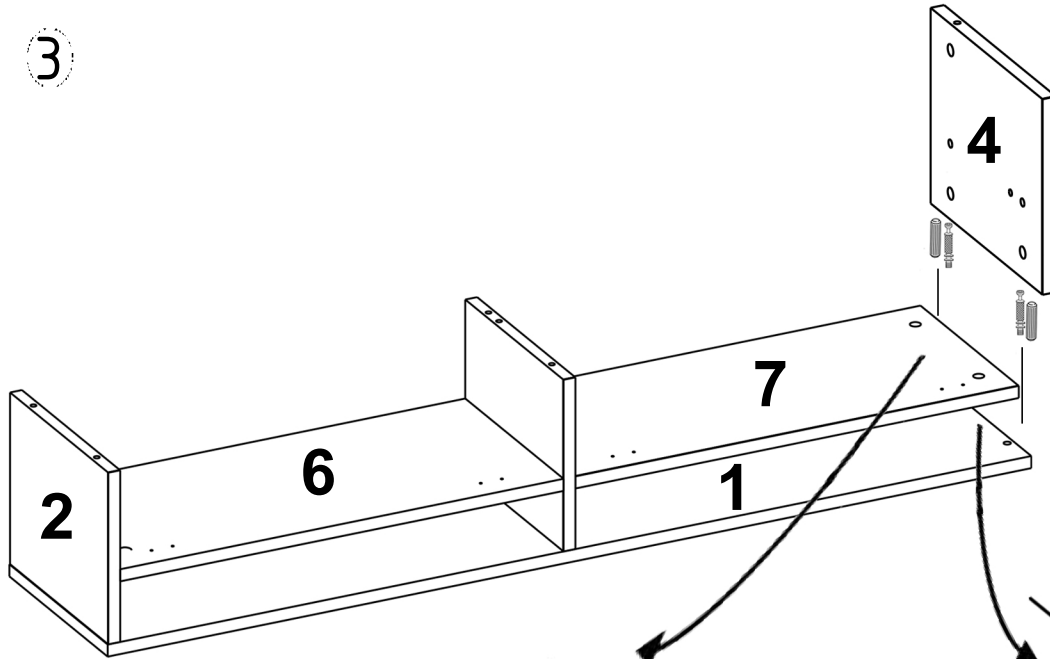
B0501



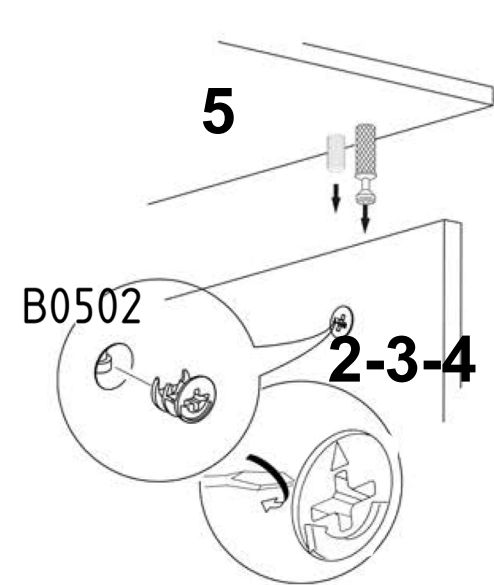
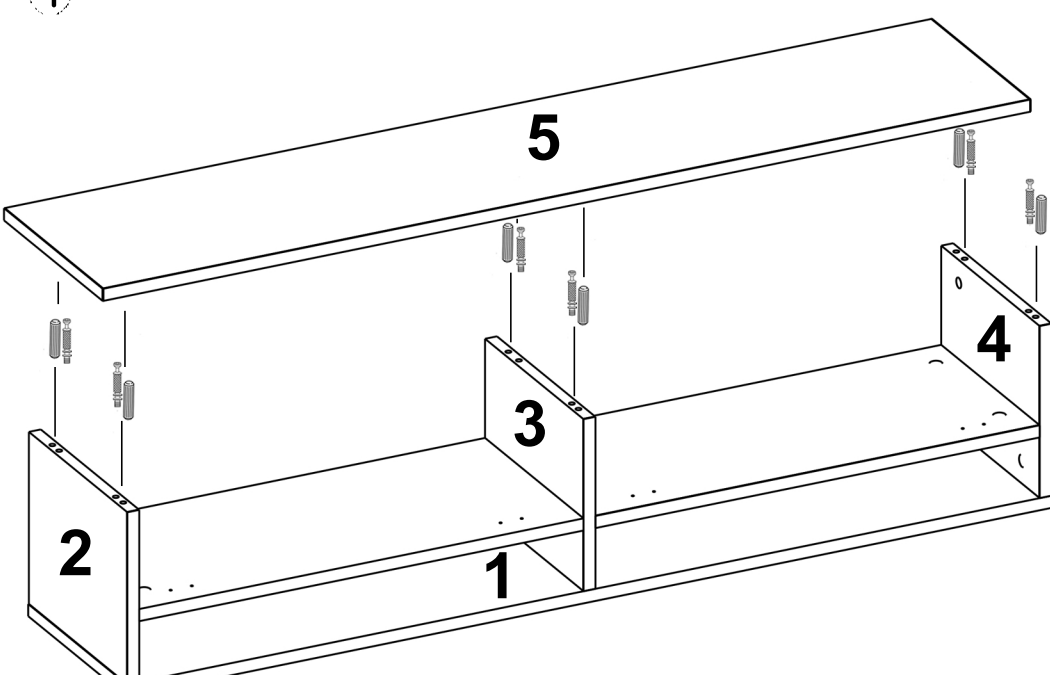
x10



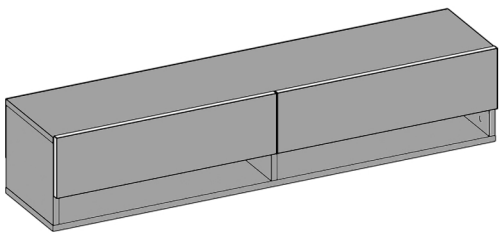
3



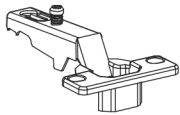
4



5

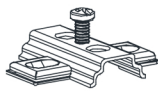


B0101



x4

B0105



x4

B0301

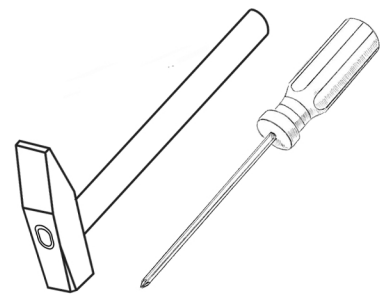


x32

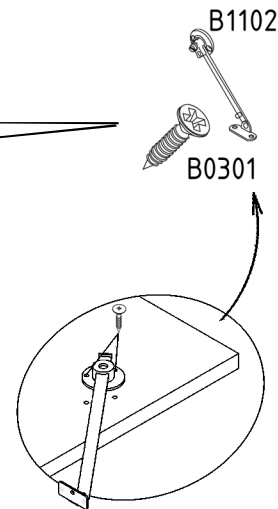
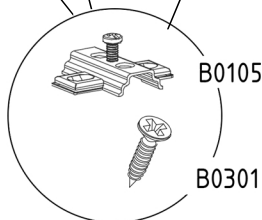
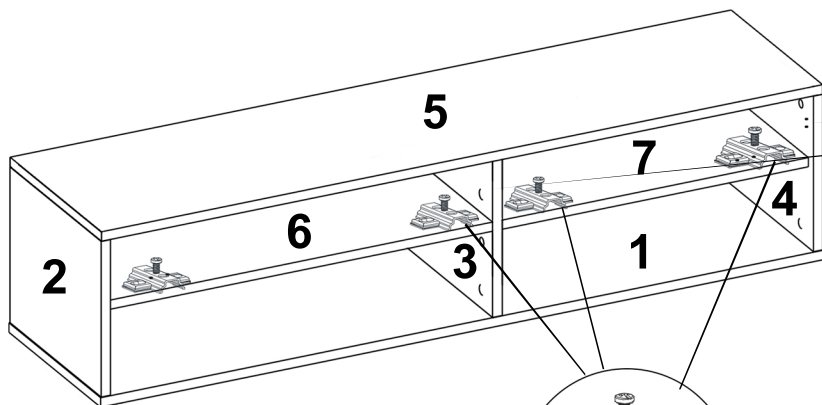
B1102



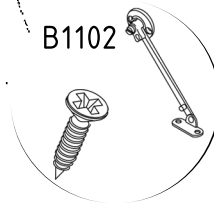
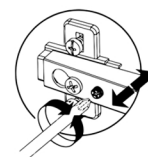
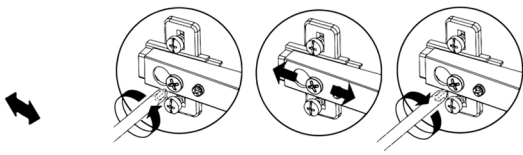
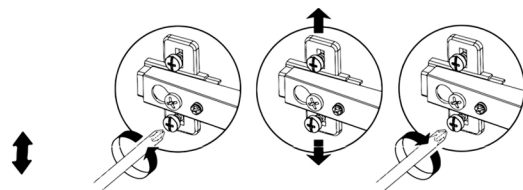
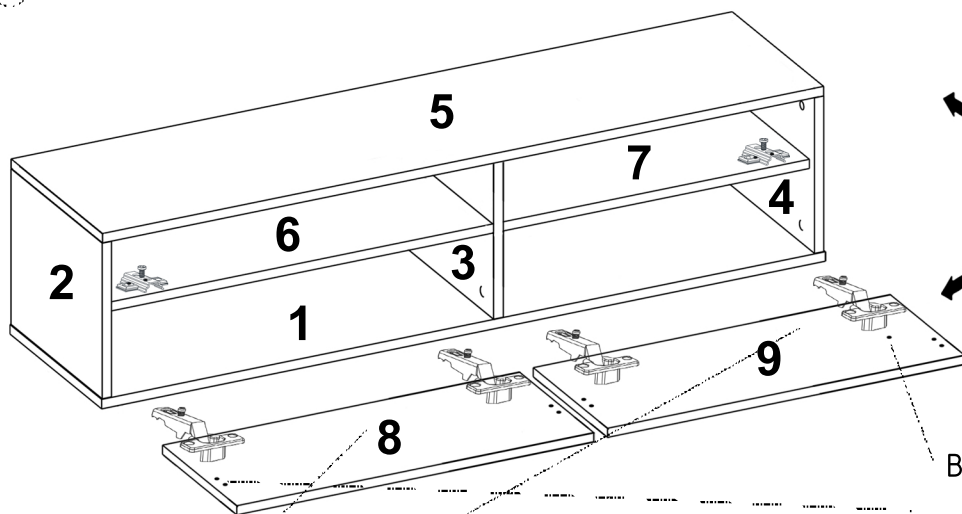
x4



5



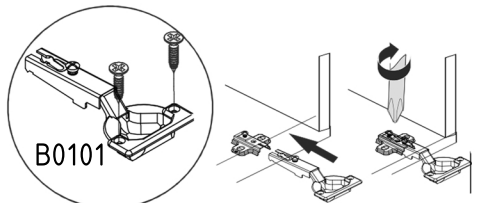
6

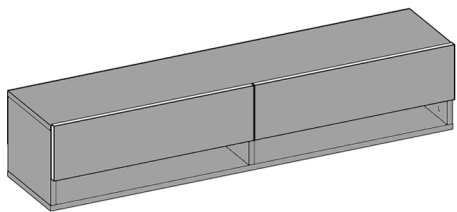


B0101

B0301

B0101





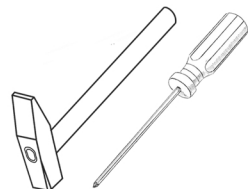
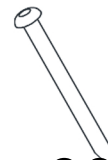
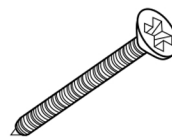
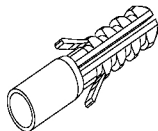
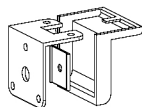
B1303

B0317

B0301

B0306

B0318



x6

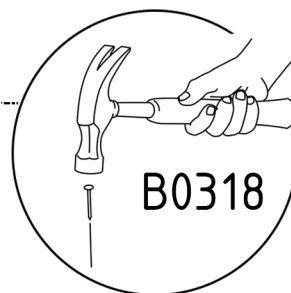
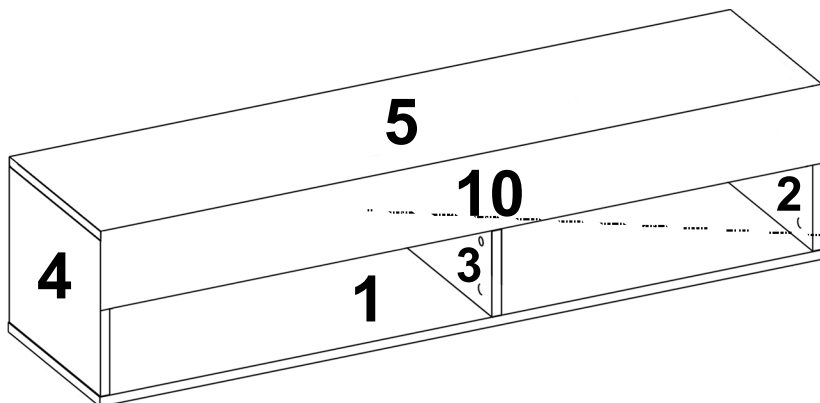
x6

x12

x6

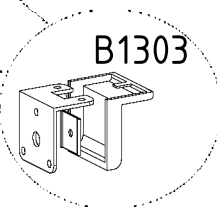
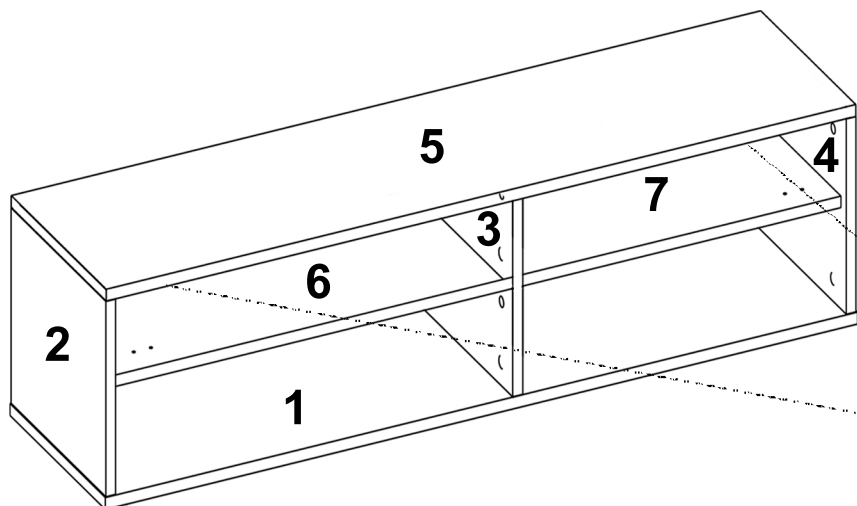
x28

7

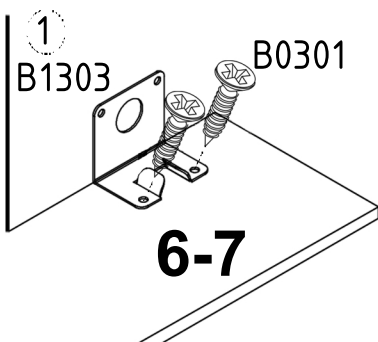


B0318

8



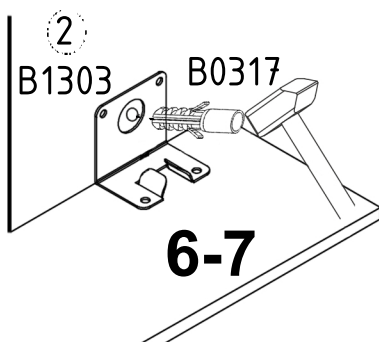
B1303



1
B1303

B0301

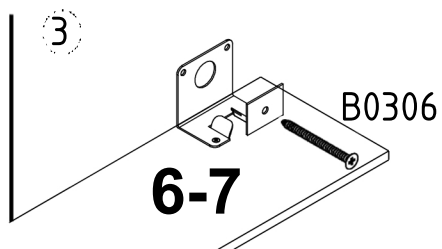
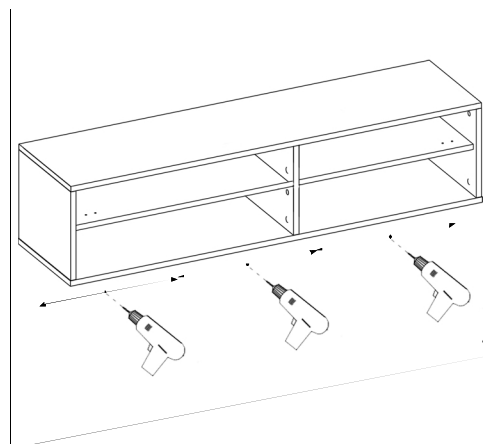
6-7



2
B1303

B0317

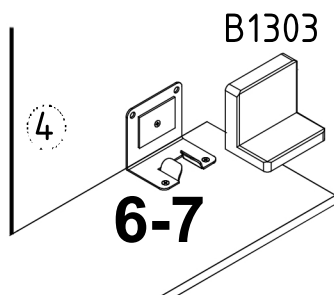
6-7



3

B0306

6-7



4

B1303

6-7