

ASSEMBLING INSTRUCTION

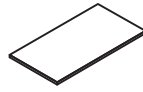
1.X2PCS



2.X1PC



3.X1PC



A.X4PCS



B.X4PCS



C.X12PCS



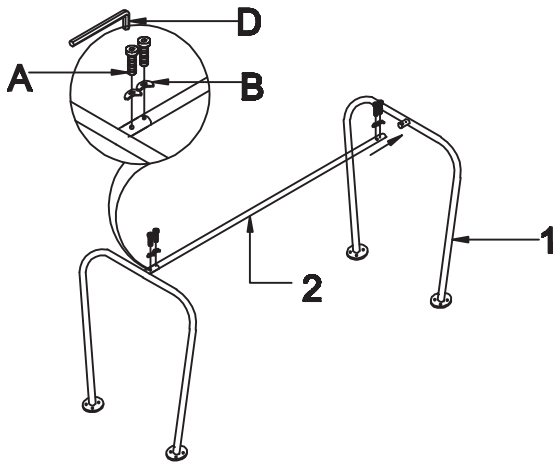
D.X1PC



E.X12PCS



1



2

